



ULTRA 3E METAL SEATED BUTTERFLY VALVE



PREMIER VALVES (Pty) Ltd

A - P.O. Box 11735, Randhart, South Africa, 1457 W - www.premiervalves.co.za
T +2711-908-3760 F +2711-908-1268 E - sales@premiervalves.co.za

in association with


FLOQUIP VALVES
Registered Premier Franchisees



The Ultra Series Metal Seated Valve's triple eccentric sealing design offers the user a "ZERO LEAKAGE" isolating valve for use in a variety of applications in a wide range of industries:

- Mining - Service Water
- Petroleum
- Chemical and Process Plants
- Gas Production and Transportation
- Off-shore Oil and Gas Platforms
- Pulp and Paper
- Emergency Shut Down Valves (ESDs)
- Steel Mills
- Sugar Mills
- Pipeline Isolation
- Low Pressure Steam
- Hot Gases (including Flue Gas)
- Cryogenic Services
- High Cycle and Switching Valves
- Water Treatment and Distribution
- Power Generation

The Ultra Design is ideal (and proven) for use in Mining Service water applications:

- Metal Seating provides longer life
- Compact design
- Ease of 90° operation
- From 16bar to 150bar pressure ratings
- Ideal for Actuated Pump control as it has linear flow Characteristics

The Ultra Quarter Turn Valve is a ZERO LEAKAGE Metal Seated Valve that features a triple eccentric, non-rubbing conical metal seat which offers tight shut off for many thousands of cycles. The seating of the valve is actually enhanced by continued operation. These unique design features combine to give the Ultra valve the following attributes: Bidirectional tight shut off on services ranging from cryogenic to 600 degree centigrade, limitations being governed by the selection of body, disc and seal materials. The Ultra is inherently fire safe which means the valve can offer ZERO LEAKAGE before, during and after the fire as there are no soft components in the valve seating areas. Simple 90° operation offers a wide range of pneumatic, electric, manual gear actuators all direct mounted on ISO standard mounting flanges. The Ultra has good control characteristics through most of its travel, and with the addition of a positioner will give control suitable for many applications. The standard valve is wafer pattern conforming to API 609 dimensions and has enormous space and mass savings when compared with other types of valves. Ultra valves are also available in full lug and flanged

patterns with dimensions in accordance with ISO 5752 or API 600, making them interchangeable with gate, ball and plug valves. As can be seen from the illustration, this design utilises a wedging action to put the laminated seal ring in compression when in contact with the body seat. Further, as the seal ring has clearance between disc and the inside of the lamellar it is able to self align and also flex to absorb stresses that might be induced by temperature fluctuations or pipeline movement.

Design features

- Metal seated, non-rubbing, "Zero Leakage", bidirectional
- Non-rubbing rotation
- Anti-blowout shaft
- Zero fugitive emission
- Resilient metal seal
- Torque seated
- Inherently fire safe
- Sizes 100mm – 1000mm (other sizes on application)
- Class ratings ANSI 150 through 900
- PN 10 to PN 150

The illustrations in this catalogue are subject to modifications without notice.

PREMIER



VALVES (Pty) Ltd

P.O. Box 11735, Randhart, South Africa, 1457
sales@premiervalves.co.za

T +2711-908-3760 F +2711-908-1268
www.premiervalves.co.za

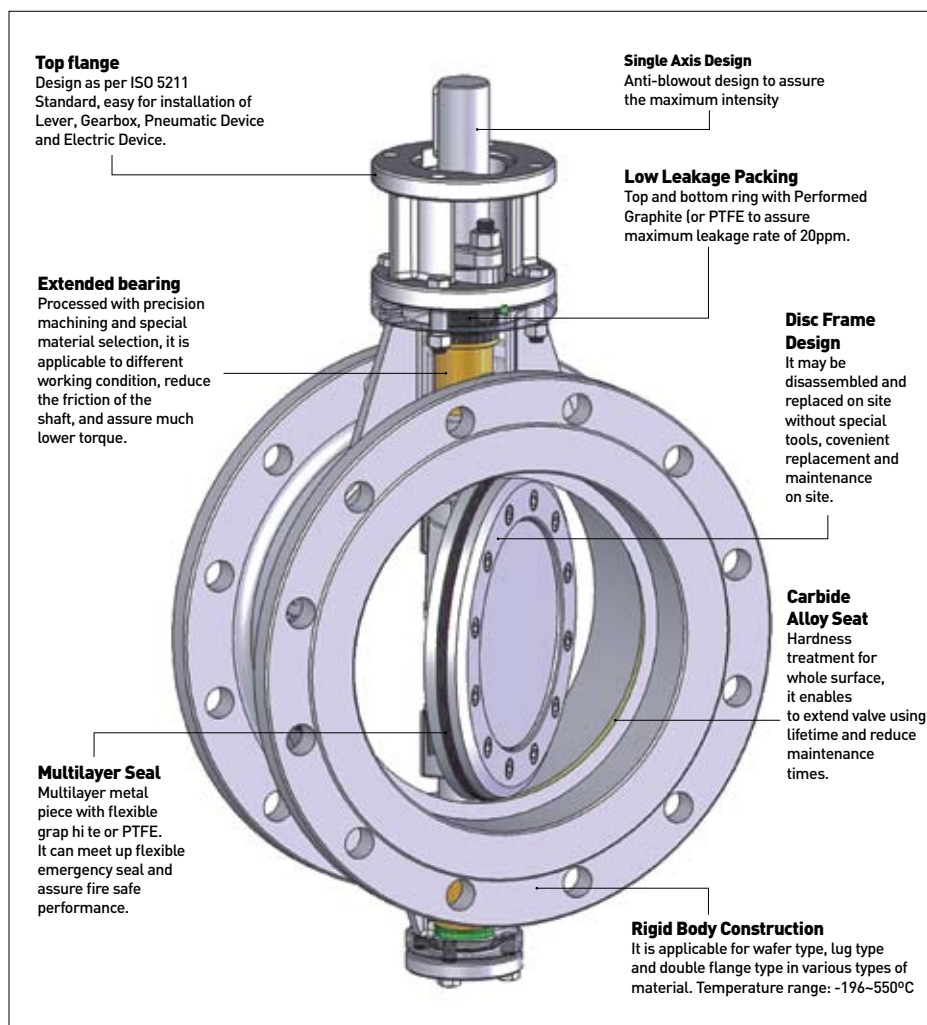
Material construction

The material selection will determine the suitability of the valve for the service media and the expected temperature range. The responsibility for final material selection rests with the customer. We can, however, suggest suitable combinations based on our experience. The following table shows the current material selection that is available, but special materials can be substituted to suit particular applications.

| Body and disc | Seat | Spindle and keys | Laminated seal ring | Bearing | Packing and Gaskets |
|--|--|--------------------|---------------------|-----------------------------------|-------------------------------------|
| CarbonSteel/ENC | Stainless steel | AISI 431 | AISI 304 | Stainless chrome or nickle plated | Graphite/gaphoil |
| Stainless steel | Stellite 21 or Colmonoy wear-resistant facings | 17-4ph AISI 630 | AISI 316 | Stellite shell | Graphoil |
| Acid resistant alloy steels | Special alloys | | FAL 223 | Hardened stainless | Graphite with Bearing prot graphoil |
| Steels for high and cryogenic temperatures | | | | Sintered PTFE and bronze | |

Standards

| | |
|-------------------------|---|
| Design: | According to ASME Sec. VIII, Sec. III, ANSI B16.34, ANSI B16.10 |
| Face to Face: | ISO 5752, MSS SP-68, API 609 and DIN 3203 |
| Flange Drilling: | ANSI B16.5 CI 150 through 900 BS 3293, API 605, MSS SP 44 DIN 2501 and ISO 2084 PN 6 to 100 |
| Testing: | ANSI B16.104 CI VI API598 for soft seated valves |
| Marking: | MSS SP-25 |



The illustrations in this catalogue are subject to modifications without notice.

PREMIER



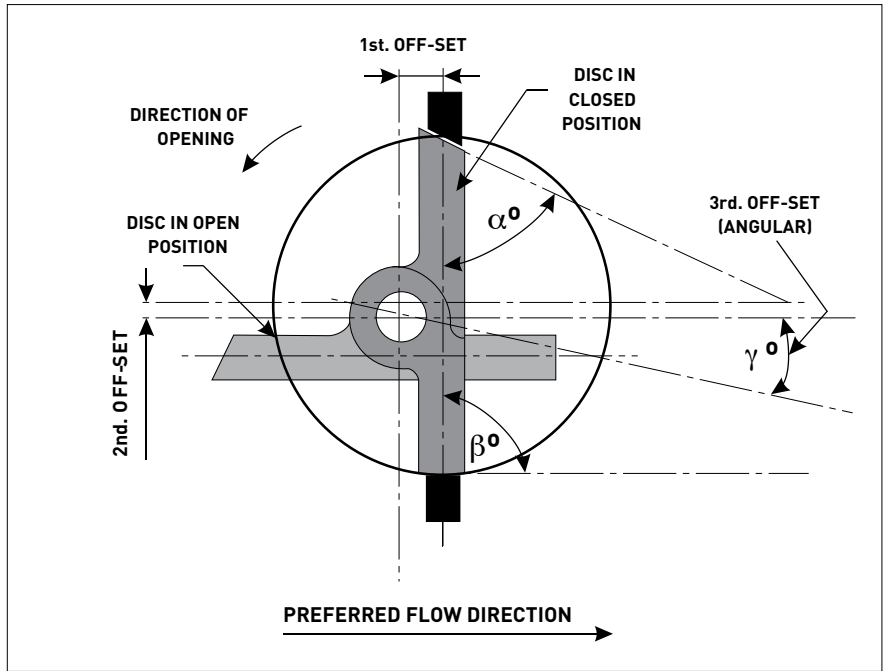
VALVES (Pty) Ltd

P.O. Box 11735, Randhart, South Africa, 1457
sales@premiervalves.co.za

T +2711-908-3760 F +2711-908-1268
www.premiervalves.co.za

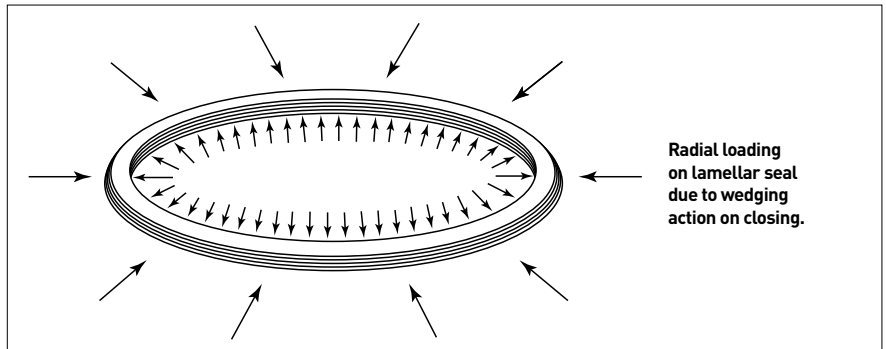
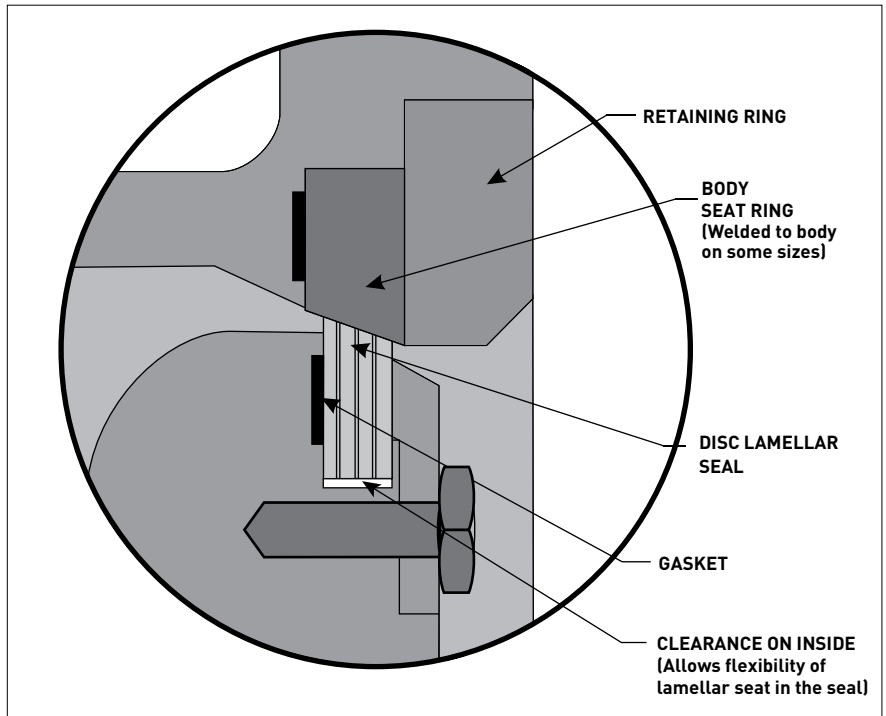
The Triple Off-Set Design

Triple Eccentric Butterfly Valves provide a bi-directional bubble tight shut off. This is achieved by using the geometry shown. The valve shaft is off-set against the seal, (1st off-set), and against the centre line of the valve (2nd off-set). The seating edges are machined with a continuously changing slope from an angle on top side of the oval seat ring to an angle at the opposite side (3rd off-set angular). This geometry ensures that the seat ring stays clear of the seat except at the final shut-off position, resulting in long seal life and operating cycles.



Lamellar Seal Design

The valve seal is manufactured from laminated stainless steel with graphoil laminate. The seal is held in position by a bolt-on retaining ring and, together with the stainless seat ring, is easily replaceable. A gasket prevents leakage around the seal ring. The metal seating valve can operate within a temperature range of -240° to $+600^\circ\text{C}$. Valve designs for cryogenic applications are available on request. Triple Eccentric Butterfly Valves are manufactured in a wide range of materials to suit most applications.



The illustrations in this catalogue are subject to modifications without notice.

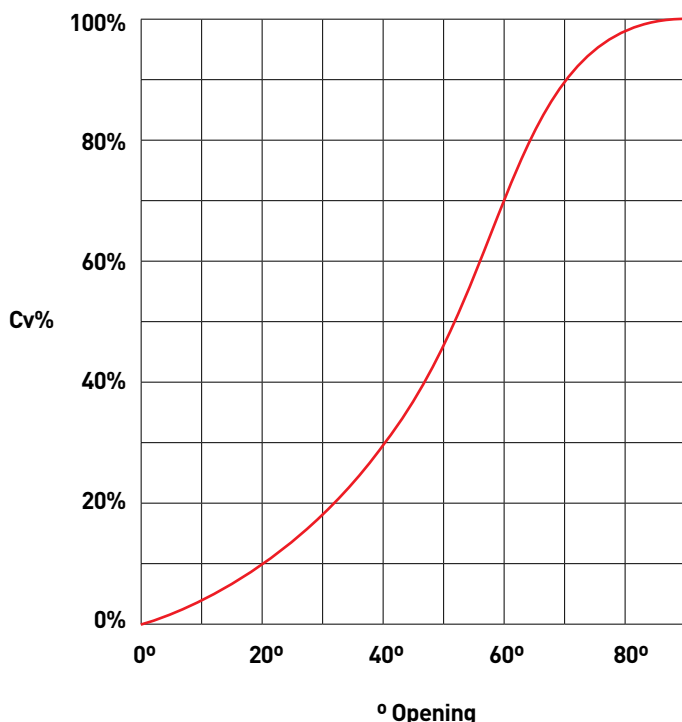


| Standards | |
|------------------------|---|
| Pressure & Temperature | ASME B16.34 |
| Flange Diameter | ASME B16.5, ASME B16.47, BS EN 1092 |
| Face-to-face | API 609, MSS SP-68, ISO 5752, BS EN 558 |
| Pressure Test | API 598 |

| Main Parts material | |
|---------------------|---------------------------------------|
| Description | Material |
| Body | WCB, CF8, CF8M, CF3, CF3M |
| Disc | WCB, CF8, CF8M, CF3, CF3M |
| Stem | F6a, F304, F316, F304L, F316L, 17-4PH |
| Seal ring | 304, 316, 304L, 316L, PTFE |
| Packing | Flex Graphite PTFE |

| Flow Coefficient | | |
|------------------|------|-------|
| Size | | Cv |
| Inch | mm | |
| 3 | 80 | 175 |
| 4 | 100 | 300 |
| 6 | 150 | 740 |
| 8 | 200 | 1350 |
| 10 | 250 | 2120 |
| 12 | 300 | 3600 |
| 14 | 350 | 4640 |
| 16 | 400 | 6290 |
| 18 | 450 | 8660 |
| 20 | 500 | 11600 |
| 24 | 600 | 16190 |
| 30 | 750 | 30000 |
| 36 | 900 | 41600 |
| 42 | 1050 | 57300 |
| 48 | 1200 | 75000 |

Cv Graph

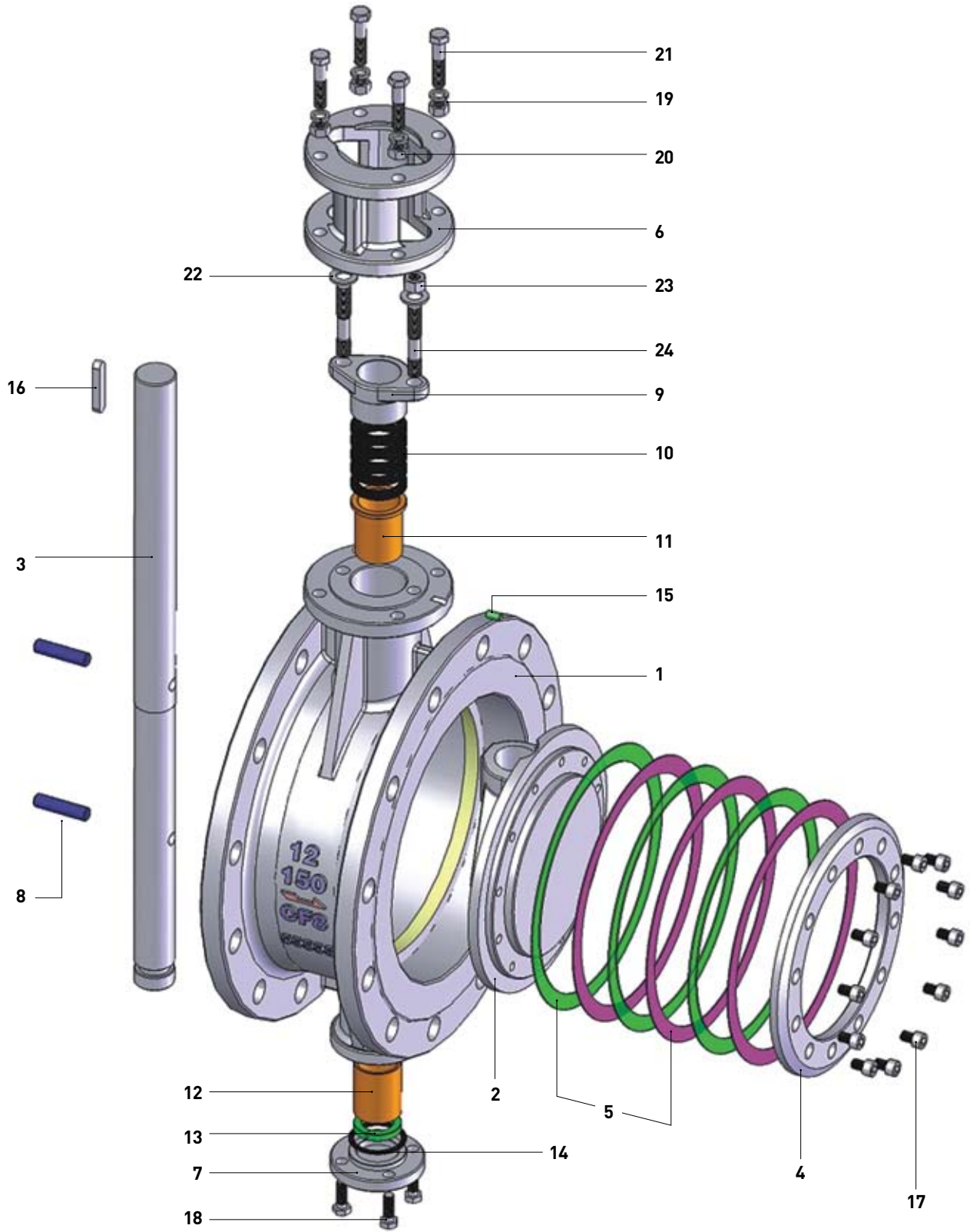


$$Cv = Qv \cdot \sqrt{\frac{G}{\Delta p}}$$

- Cv - Flow Coefficient
- Qv - Volumetric Flow
- ΔP - Pressure loss of Valves
- G - Relative Density of Water =1

The illustrations in this catalogue are subject to modifications without notice.

Regular material of triple off-set metal Seal High-Performance Butterfly Valve



The illustrations in this catalogue are subject to modifications without notice.

PREMIER

P.O. Box 11735, Randhart, South Africa, 1457
sales@premiervalves.co.za



VALVES (Pty) Ltd

T +2711-908-3760 F +2711-908-1268
www.premiervalves.co.za

Structure of triple off-set metal seal High-Performance Butterfly Valve

| Item | Description | Temperature-29~425° | Temperature-196~538° | Temperature-196~538° |
|------|---------------------|---------------------|----------------------|----------------------|
| | | CS | CF8 | CF8M |
| 1 | Body | A216WCB | A351 CF8 | A351 CF8M |
| 2 | Disc | A216WCB | A351 CF8 | A351 CF8M |
| 3 | Shaft | A182 F6a | A182 F304 | A182 F316 |
| 4 | Retainer | A105 CS+ENP | SS 304 | SS 316 |
| 5 | Seal Ring | SS316+Flex graphite | SS316+Flex graphite | SS316+Flex graphite |
| 6 | Yoke | A216WCB | A216 WCB+ENP | A216 WCB+ENP |
| 7 | Bottom Cover | A105 CS | SS 304 | SS 316 |
| 8 | Hinge Pin | A276 410 | SS 304 | SS 316 |
| 9 | Packing Gland | A216WCB | A351 CF8 | A351 CF8M |
| 10 | Packing | Flex graphite | Flex graphite | Flex graphite |
| 11 | Front Axial Bushing | B148 C95500 | B148 C95500 | B148 C95500 |
| 12 | Rear Axial Bushing | B148 C95500 | B148 C95500 | B148 C95500 |
| 13 | Split Ring | SS 304 | SS 316 | SS 316 |
| 14 | Seal Gasket | SS304+Flex graphite | SS304+Flex graphite | SS304+Flex graphite |
| 15 | Loose-proof Pin | A276 410 | SS 304 | SS 304 |
| 16 | Key | AISI 1045 | AISI 1045 | AISI 1045 |
| 17 | Screw | A193 B8 | A193 B8 | A193 B8M |
| 18 | Bolt | A193 B7 | A193 B8 | A193 B8M |
| 19 | Spring Gasket | AISI 1566 | AISI 1566 | AISI 1566 |
| 20 | Nut | A194 2H | A194 8 | A194 8M |
| 21 | Bolt | A193 B7 | A193 B8 | A193 B8M |
| 22 | Gasket | A105 CS | SS 304 | SS 316 |
| 23 | Nut | A194 2H | A194 8 | A194 8M |
| 24 | Stud | A193 B7 | A193 B8 | A193 B8M |

NOTES:

1. The above is the general specification. If special requirements by clients, Premier could do a proper material selection according to the working condition.
2. For the valves used for special working condition, please query with Premier engineers for material and other details.

The illustrations in this catalogue are subject to modifications without notice.

PREMIER

P.O. Box 11735, Randhart, South Africa, 1457
sales@premiervalves.co.za


VALVES (Pty) Ltd

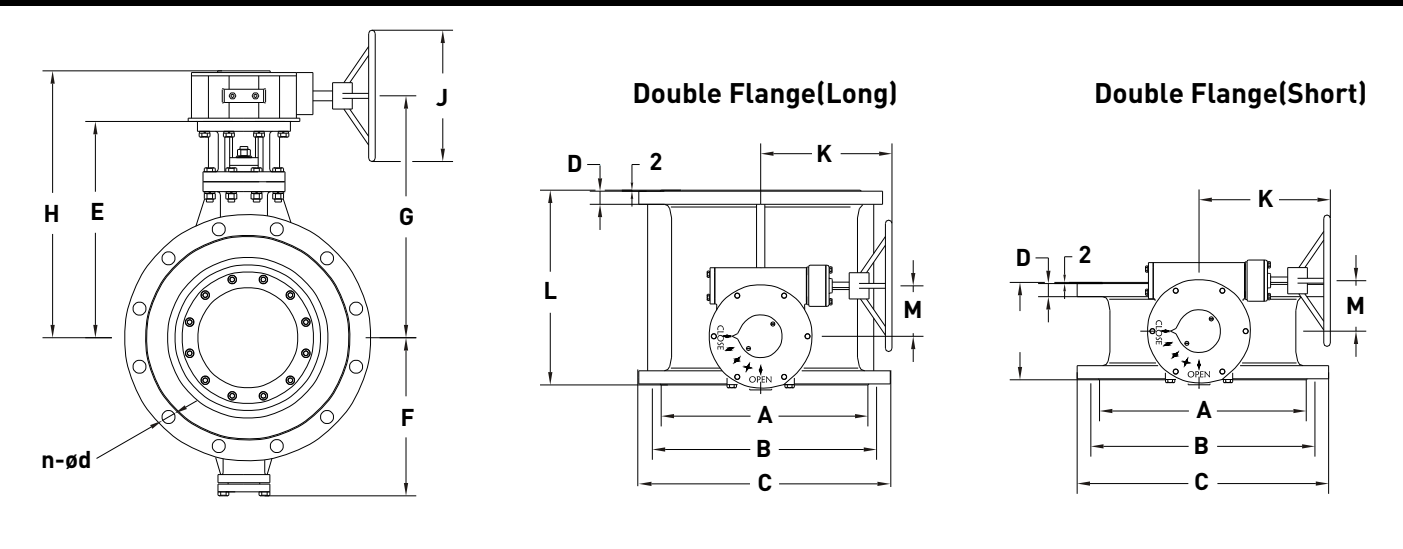
T +2711-908-3760 F +2711-908-1268
www.premiervalves.co.za

Double Flange Metal Seal Butterfly Valve



The illustrations in this catalogue are subject to modifications without notice.

ASME CLASS 150-300 (80-1200mm)



Flange dimension: ASME B16.5 & ASME B16.47

| Size | | L | | A | B | C | D | n-ød | E | F | G | H | J | K | M |
|------------------|------|------|-------|------|------|------|-----|-------|------|-----|------|------|-----|-----|-----|
| mm | inch | Long | Short | | | | | | | | | | | | |
| CLASS 150 | | | | | | | | | | | | | | | |
| 80 | 3 | 114 | 203 | 190 | 152 | 127 | 18 | 4-19 | 208 | 123 | 243 | 283 | 150 | 148 | 45 |
| 100 | 4 | 127 | 229 | 230 | 191 | 157 | 22 | 8-19 | 228 | 143 | 263 | 303 | 300 | 148 | 45 |
| 150 | 6 | 140 | 267 | 280 | 241 | 216 | 24 | 8-23 | 283 | 174 | 318 | 368 | 300 | 238 | 63 |
| 200 | 8 | 152 | 292 | 345 | 299 | 270 | 27 | 8-23 | 315 | 208 | 357 | 400 | 300 | 238 | 63 |
| 250 | 10 | 165 | 330 | 405 | 362 | 324 | 29 | 12-26 | 355 | 236 | 397 | 440 | 300 | 226 | 78 |
| 300 | 12 | 178 | 356 | 485 | 432 | 381 | 30 | 12-26 | 397 | 272 | 447 | 522 | 300 | 270 | 120 |
| 350 | 14 | 190 | 381 | 535 | 476 | 413 | 33 | 12-29 | 452 | 320 | 507 | 572 | 400 | 342 | 120 |
| 400 | 16 | 216 | 406 | 595 | 540 | 470 | 35 | 16-29 | 497 | 356 | 549 | 617 | 700 | 428 | 120 |
| 450 | 18 | 222 | 432 | 635 | 578 | 533 | 38 | 16-32 | 530 | 376 | 582 | 650 | 700 | 428 | 126 |
| 500 | 20 | 229 | 457 | 700 | 635 | 584 | 41 | 20-32 | 564 | 407 | 616 | 709 | 400 | 310 | 126 |
| 600 | 24 | 267 | 508 | 816 | 749 | 692 | 46 | 20-35 | 662 | 472 | 727 | 826 | 400 | 385 | 152 |
| 750 | 30 | 318 | 610 | 984 | 914 | 857 | 75 | 28-35 | 748 | 570 | 828 | 926 | 700 | 545 | 190 |
| 900 | 36 | 330 | 711 | 1168 | 1086 | 1022 | 90 | 32-41 | 890 | 680 | 1060 | 1204 | 700 | 670 | 264 |
| 1050 | 42 | 410 | - | 1346 | 1257 | 1194 | 97 | 36-41 | 993 | 774 | 1163 | 1307 | 700 | 670 | 264 |
| 1200 | 48 | 470 | - | 1511 | 1422 | 1359 | 108 | 44-41 | 1080 | 862 | 1182 | 1356 | 750 | 660 | 230 |
| CLASS 300 | | | | | | | | | | | | | | | |
| 80 | 3 | 114 | 282 | 210 | 168 | 127 | 27 | 8-23 | 208 | 123 | 243 | 283 | 150 | 148 | 45 |
| 100 | 4 | 127 | 305 | 255 | 200 | 157 | 30 | 8-23 | 228 | 143 | 263 | 303 | 300 | 148 | 45 |
| 150 | 6 | 140 | 403 | 320 | 270 | 216 | 35 | 12-26 | 283 | 174 | 318 | 368 | 300 | 238 | 63 |
| 200 | 8 | 152 | 418 | 380 | 330 | 270 | 40 | 12-26 | 315 | 208 | 357 | 400 | 300 | 238 | 63 |
| 250 | 10 | 165 | 457 | 445 | 387 | 324 | 46 | 16-29 | 355 | 236 | 397 | 440 | 300 | 226 | 78 |
| 300 | 12 | 178 | 502 | 520 | 451 | 381 | 49 | 16-32 | 397 | 272 | 447 | 522 | 300 | 270 | 120 |
| 350 | 14 | 190 | 762 | 585 | 514 | 413 | 52 | 20-32 | 452 | 320 | 507 | 572 | 400 | 342 | 120 |
| 400 | 16 | 216 | 838 | 650 | 572 | 470 | 56 | 20-35 | 497 | 356 | 549 | 617 | 700 | 428 | 120 |
| 450 | 18 | 222 | 914 | 710 | 629 | 533 | 59 | 24-35 | 530 | 376 | 582 | 650 | 700 | 428 | 126 |
| 500 | 20 | 229 | 991 | 775 | 686 | 584 | 62 | 24-35 | 564 | 407 | 616 | 709 | 400 | 310 | 126 |
| 600 | 24 | 267 | 1143 | 915 | 813 | 692 | 68 | 24-41 | 662 | 472 | 727 | 826 | 400 | 385 | 152 |
| 750 | 30 | 450 | 1397 | 1092 | 997 | 857 | 92 | 28-48 | 748 | 570 | 828 | 926 | 700 | 545 | 190 |
| 900 | 36 | 510 | 1727 | 1270 | 1168 | 1022 | 105 | 32-54 | 890 | 680 | 1060 | 1204 | 700 | 670 | 264 |

The illustrations in this catalogue are subject to modifications without notice.



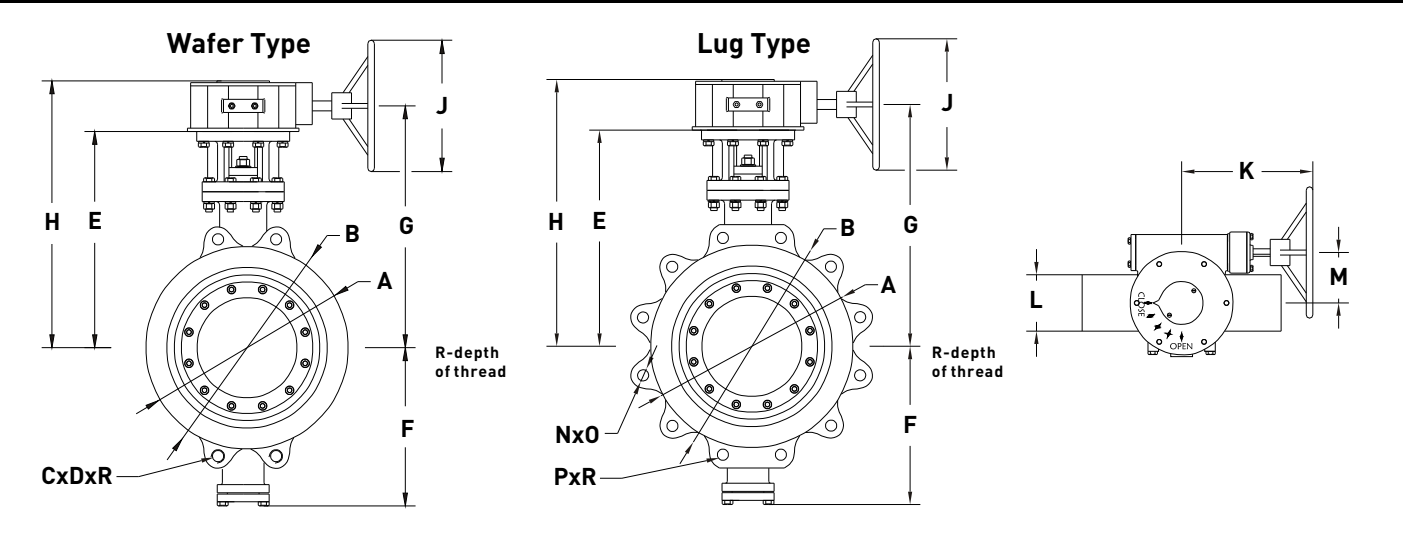
Lug Type Metal Seal Butterfly Valve



The illustrations in this catalogue are subject to modifications without notice.



ASME CLASS 150-300 (80-1200mm)



Flange dimension: ASME B16.5 & ASME B16.47

| Size | | L | A | B | C | D | E | F | G | H | J | K | M | N | O | P | R |
|------------------|------|-----|------|------|---|-----------|------|-----|------|------|-----|-----|-----|----|-----------|---|----|
| mm | inch | | | | | | | | | | | | | | | | |
| CLASS 150 | | | | | | | | | | | | | | | | | |
| 80 | 3 | 48 | 127 | 152 | 4 | Ø19 | 208 | 123 | 243 | 283 | 150 | 148 | 45 | 4 | 5/8 11UNC | - | - |
| 100 | 4 | 54 | 157 | 191 | 4 | Ø19 | 228 | 143 | 263 | 303 | 300 | 148 | 45 | 8 | 5/8 11UNC | - | - |
| 150 | 6 | 57 | 216 | 241 | 4 | Ø23 | 283 | 174 | 318 | 368 | 300 | 238 | 63 | 8 | 3/4 10UNC | - | - |
| 200 | 8 | 64 | 270 | 299 | 4 | Ø23 | 315 | 208 | 357 | 400 | 300 | 238 | 63 | 8 | 3/4 10UNC | - | - |
| 250 | 10 | 71 | 324 | 362 | 4 | Ø26 | 355 | 236 | 397 | 440 | 300 | 226 | 78 | 12 | 7/8 9UNC | - | - |
| 300 | 12 | 81 | 381 | 432 | 4 | Ø26 | 397 | 272 | 447 | 522 | 300 | 270 | 120 | 12 | 7/8 9UNC | - | - |
| 350 | 14 | 92 | 413 | 476 | 4 | Ø29 | 452 | 320 | 507 | 572 | 400 | 342 | 120 | 12 | 1 8UNC | - | - |
| 400 | 16 | 102 | 470 | 540 | 4 | 1 8UNC | 497 | 356 | 549 | 617 | 700 | 428 | 120 | 16 | 1 8UNC | 4 | 20 |
| 450 | 18 | 114 | 533 | 578 | 4 | 1 1/8 8UN | 530 | 376 | 582 | 650 | 700 | 428 | 126 | 16 | 1 1/8 8UN | 4 | 20 |
| 500 | 20 | 127 | 584 | 635 | 4 | 1 1/8 8UN | 564 | 407 | 616 | 709 | 400 | 310 | 126 | 20 | 1 1/8 8UN | 4 | 25 |
| 600 | 24 | 154 | 692 | 750 | 4 | 1 1/4 8UN | 662 | 472 | 727 | 826 | 400 | 385 | 152 | 20 | 1 1/4 8UN | 4 | 25 |
| 750 | 30 | 165 | 857 | 914 | 4 | 1 1/4 8UN | 748 | 570 | 828 | 926 | 700 | 545 | 190 | 28 | 1 1/4 8UN | 8 | 28 |
| 900 | 36 | 200 | 1022 | 1086 | 4 | 1 1/2 8UN | 890 | 680 | 1060 | 1204 | 700 | 670 | 264 | 32 | 1 1/2 8UN | 8 | 32 |
| 1050 | 42 | 251 | 1194 | 1257 | 4 | 1 1/2 8UN | 993 | 774 | 1163 | 1307 | 700 | 670 | 264 | 36 | 1 1/2 8UN | 8 | 36 |
| 1200 | 48 | 276 | 1359 | 1422 | 4 | 1 1/2 8UN | 1080 | 862 | 1182 | 1356 | 750 | 660 | 230 | 44 | 1 1/2 8UN | 8 | 38 |
| CLASS 300 | | | | | | | | | | | | | | | | | |
| 80 | 3 | 48 | 127 | 168 | 4 | Ø23 | 208 | 123 | 243 | 283 | 150 | 148 | 45 | 4 | 3/4 10UNC | - | - |
| 100 | 4 | 54 | 157 | 200 | 4 | Ø23 | 228 | 143 | 263 | 303 | 300 | 148 | 45 | 8 | 3/4 10UNC | - | - |
| 150 | 6 | 59 | 216 | 270 | 4 | 3/4 10UNC | 283 | 174 | 318 | 368 | 300 | 238 | 63 | 8 | 3/4 10UNC | - | 18 |
| 200 | 8 | 73 | 270 | 330 | 4 | 7/8 9UNC | 315 | 208 | 357 | 400 | 300 | 238 | 63 | 8 | 7/8 9UNC | - | 20 |
| 250 | 10 | 83 | 324 | 387 | 4 | 1 8UNC | 355 | 236 | 397 | 440 | 300 | 226 | 78 | 12 | 1 8UNC | - | 20 |
| 300 | 12 | 92 | 381 | 451 | 4 | 1 1/8 8UN | 397 | 272 | 447 | 522 | 300 | 270 | 120 | 12 | 1 1/8 8UN | - | 25 |
| 350 | 14 | 117 | 413 | 514 | 4 | 1 1/8 8UN | 452 | 320 | 507 | 572 | 400 | 342 | 120 | 12 | 1 1/8 8UN | - | 25 |
| 400 | 16 | 133 | 470 | 572 | 4 | 1 1/4 8UN | 497 | 356 | 549 | 617 | 700 | 428 | 120 | 16 | 1 1/4 8UN | 4 | 25 |
| 450 | 18 | 149 | 533 | 629 | 4 | 1 1/4 8UN | 530 | 376 | 582 | 650 | 700 | 428 | 126 | 16 | 1 1/4 8UN | 4 | 28 |
| 500 | 20 | 159 | 584 | 686 | 4 | 1 1/4 8UN | 564 | 407 | 616 | 709 | 400 | 310 | 126 | 20 | 1 1/4 8UN | 4 | 30 |
| 600 | 24 | 181 | 692 | 813 | 4 | 1 1/2 8UN | 662 | 472 | 727 | 826 | 400 | 385 | 152 | 20 | 1 1/2 8UN | 4 | 30 |

The illustrations in this catalogue are subject to modifications without notice.



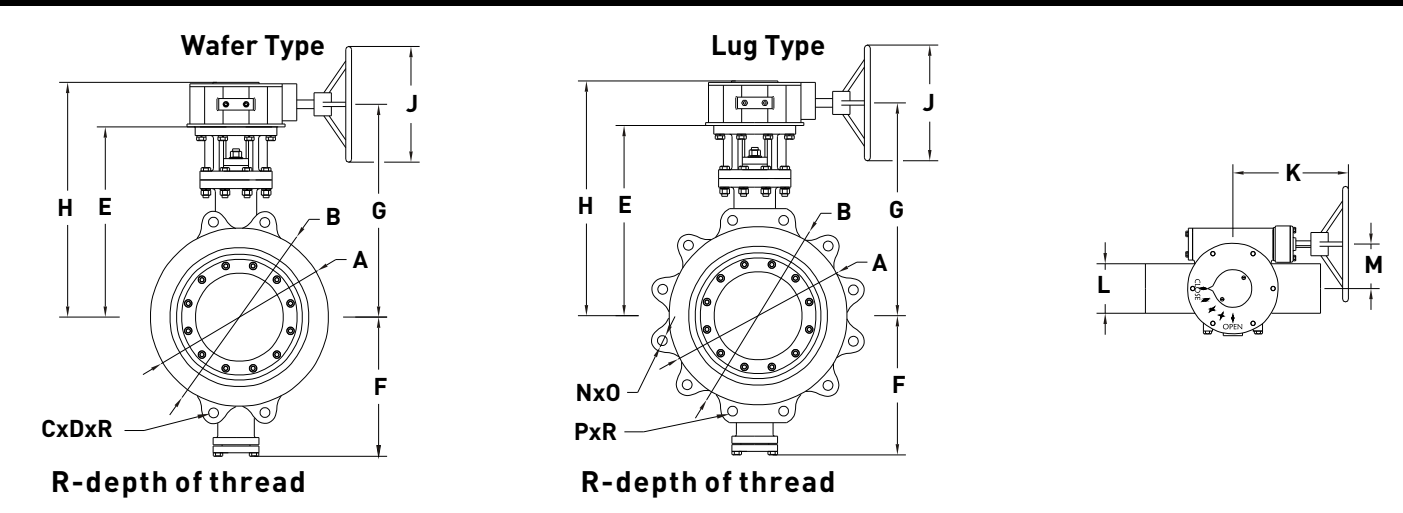
Wafer Metal Seal Butterfly Valve



The illustrations in this catalogue are subject to modifications without notice.



PN10-PN16, DN80-DN1200



Flange dimension: BS EN 1092

| mm | L | A | B | C | D | E | F | G | H | J | K | M | N | O | P | R |
|-------------|-----|------|------|---|-----|------|-----|------|------|-----|-----|-----|----|-----|---|----|
| PN10 | | | | | | | | | | | | | | | | |
| 80 | 49 | 138 | 160 | 4 | Ø18 | 208 | 123 | 243 | 283 | 150 | 148 | 45 | 8 | M16 | - | - |
| 100 | 56 | 158 | 180 | 4 | Ø18 | 228 | 143 | 263 | 303 | 300 | 148 | 45 | 8 | M16 | - | - |
| 125 | 64 | 188 | 210 | 4 | Ø18 | 246 | 165 | 276 | 322 | 300 | 148 | 45 | 8 | M16 | - | - |
| 150 | 70 | 212 | 240 | 4 | Ø22 | 283 | 174 | 318 | 368 | 300 | 238 | 63 | 8 | M20 | - | - |
| 200 | 71 | 268 | 295 | 4 | Ø22 | 315 | 208 | 357 | 400 | 300 | 238 | 63 | 8 | M20 | - | - |
| 250 | 76 | 320 | 350 | 4 | Ø22 | 355 | 236 | 397 | 440 | 300 | 226 | 78 | 12 | M20 | - | - |
| 300 | 83 | 370 | 400 | 4 | Ø22 | 397 | 272 | 447 | 522 | 300 | 270 | 120 | 12 | M20 | - | - |
| 350 | 92 | 430 | 460 | 4 | M20 | 452 | 320 | 507 | 572 | 400 | 342 | 120 | 16 | M20 | 4 | 20 |
| 400 | 102 | 482 | 515 | 4 | M24 | 497 | 356 | 549 | 617 | 700 | 428 | 120 | 16 | M24 | 4 | 24 |
| 450 | 114 | 532 | 565 | 4 | M24 | 530 | 376 | 582 | 650 | 700 | 428 | 126 | 20 | M24 | 4 | 24 |
| 500 | 127 | 585 | 620 | 4 | M24 | 564 | 407 | 616 | 709 | 400 | 310 | 126 | 20 | M24 | 4 | 24 |
| 600 | 154 | 685 | 725 | 4 | M27 | 662 | 472 | 727 | 826 | 400 | 385 | 152 | 20 | M27 | 4 | 27 |
| 700 | 165 | 800 | 840 | 8 | M27 | 748 | 570 | 828 | 926 | 700 | 545 | 190 | 24 | M27 | 4 | 27 |
| 800 | 190 | 905 | 950 | 8 | M30 | 775 | 595 | 727 | 826 | 700 | 385 | 152 | 24 | M30 | 8 | 30 |
| 900 | 203 | 1005 | 1050 | 8 | M30 | 890 | 680 | 1060 | 1204 | 700 | 670 | 264 | 28 | M30 | 8 | 30 |
| 1000 | 216 | 1110 | 1160 | 8 | M33 | 993 | 774 | 1163 | 1307 | 700 | 670 | 264 | 28 | M36 | 8 | 33 |
| 1200 | 254 | 1330 | 1380 | 8 | M36 | 1080 | 862 | 1182 | 1356 | 750 | 660 | 230 | 32 | M36 | 8 | 36 |
| PN16 | | | | | | | | | | | | | | | | |
| 80 | 49 | 138 | 160 | 4 | Ø18 | 208 | 123 | 243 | 283 | 150 | 148 | 45 | 8 | M16 | - | - |
| 100 | 56 | 158 | 180 | 4 | Ø18 | 228 | 143 | 263 | 303 | 300 | 148 | 45 | 8 | M16 | - | - |
| 125 | 64 | 188 | 210 | 4 | Ø18 | 246 | 165 | 276 | 322 | 300 | 148 | 45 | 8 | M16 | - | - |
| 150 | 70 | 212 | 240 | 4 | Ø22 | 283 | 174 | 318 | 368 | 300 | 238 | 63 | 8 | M20 | - | - |
| 200 | 71 | 268 | 295 | 4 | M20 | 315 | 208 | 357 | 400 | 300 | 238 | 63 | 8 | M20 | 4 | 20 |
| 250 | 76 | 320 | 355 | 4 | Ø26 | 355 | 236 | 397 | 440 | 300 | 226 | 78 | 12 | M24 | - | - |
| 300 | 83 | 378 | 410 | 4 | Ø26 | 397 | 272 | 447 | 522 | 300 | 270 | 120 | 12 | M24 | - | - |
| 350 | 92 | 428 | 470 | 4 | M24 | 452 | 320 | 507 | 572 | 400 | 342 | 120 | 16 | M24 | 4 | 24 |
| 400 | 102 | 490 | 525 | 4 | M27 | 497 | 356 | 549 | 617 | 700 | 428 | 120 | 16 | M27 | 4 | 27 |
| 450 | 114 | 550 | 585 | 4 | M27 | 530 | 376 | 582 | 650 | 700 | 428 | 126 | 20 | M27 | 4 | 27 |
| 500 | 127 | 610 | 650 | 4 | M30 | 564 | 407 | 616 | 709 | 400 | 310 | 126 | 20 | M30 | 4 | 30 |
| 600 | 154 | 725 | 770 | 4 | M33 | 662 | 472 | 727 | 826 | 400 | 385 | 152 | 20 | M33 | 4 | 33 |
| 700 | 165 | 795 | 840 | 8 | M33 | 748 | 570 | 828 | 926 | 700 | 545 | 190 | 24 | M33 | 4 | 33 |
| 800 | 190 | 900 | 950 | 8 | M36 | 775 | 595 | 727 | 826 | 700 | 385 | 152 | 24 | M36 | 8 | 36 |
| 900 | 203 | 1000 | 1050 | 8 | M36 | 890 | 680 | 1060 | 1204 | 700 | 670 | 264 | 28 | M36 | 8 | 36 |
| 1000 | 216 | 1115 | 1170 | 8 | M39 | 993 | 774 | 1163 | 1307 | 700 | 670 | 264 | 28 | M39 | 8 | 39 |
| 1200 | 254 | 1330 | 1390 | 8 | M45 | 1080 | 862 | 1182 | 1356 | 750 | 660 | 230 | 32 | M45 | 8 | 45 |

The illustrations in this catalogue are subject to modifications without notice.



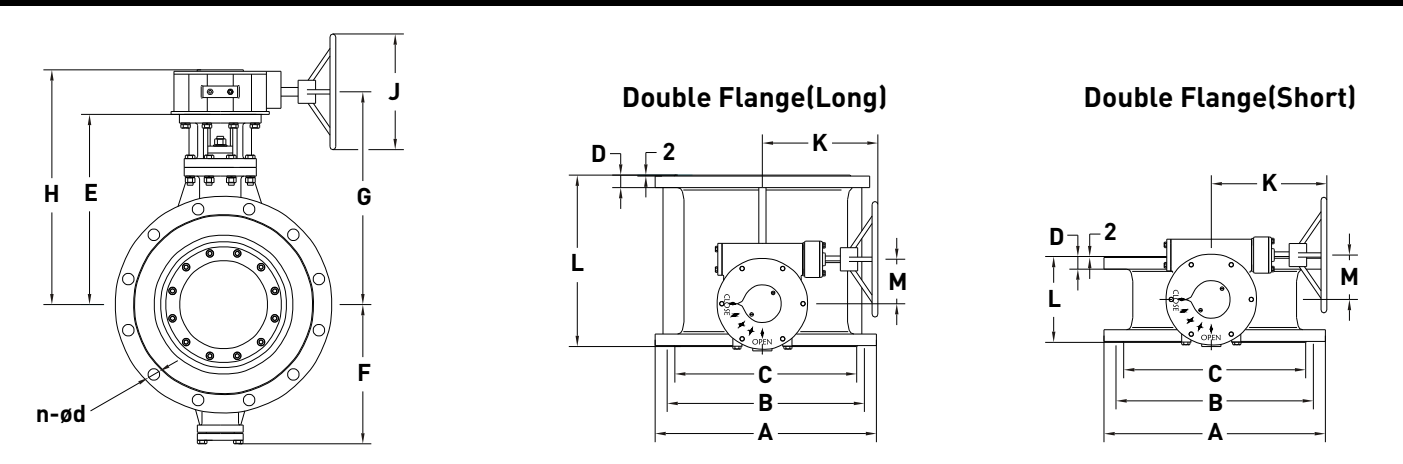
Double Flange Metal Seal Butterfly Valve



The illustrations in this catalogue are subject to modifications without notice.



PN10-PN16, DN80-DN1200



Flange dimension: BS EN 1092

| Size mm | L | | A | B | C | D | n-ød | E | F | G | H | J | K | M |
|-------------|------|-------|------|------|------|----|-------|------|-----|------|------|-----|-----|-----|
| | Long | Short | | | | | | | | | | | | |
| PN10 | | | | | | | | | | | | | | |
| 80 | 114 | 180 | 200 | 160 | 138 | 20 | 8-18 | 208 | 123 | 243 | 283 | 150 | 148 | 45 |
| 100 | 127 | 190 | 220 | 180 | 158 | 20 | 8-19 | 228 | 143 | 263 | 303 | 300 | 148 | 45 |
| 125 | 140 | 200 | 250 | 210 | 188 | 22 | 8-18 | 246 | 165 | 276 | 322 | 300 | 148 | 45 |
| 150 | 140 | 210 | 285 | 240 | 212 | 22 | 8-22 | 283 | 174 | 318 | 368 | 300 | 238 | 63 |
| 200 | 152 | 230 | 340 | 295 | 268 | 24 | 8-22 | 315 | 208 | 357 | 400 | 300 | 238 | 63 |
| 250 | 165 | 250 | 395 | 350 | 320 | 26 | 12-22 | 355 | 236 | 397 | 440 | 300 | 226 | 78 |
| 300 | 178 | 270 | 445 | 400 | 370 | 26 | 12-22 | 397 | 272 | 447 | 522 | 300 | 270 | 120 |
| 350 | 190 | 290 | 505 | 460 | 430 | 26 | 16-22 | 452 | 320 | 507 | 572 | 400 | 342 | 120 |
| 400 | 216 | 310 | 565 | 515 | 482 | 26 | 16-26 | 497 | 356 | 549 | 617 | 700 | 428 | 120 |
| 450 | 222 | 330 | 615 | 565 | 532 | 28 | 20-26 | 530 | 376 | 582 | 650 | 700 | 428 | 126 |
| 500 | 229 | 350 | 670 | 620 | 585 | 28 | 20-26 | 564 | 407 | 616 | 709 | 400 | 310 | 126 |
| 600 | 267 | 390 | 780 | 725 | 685 | 34 | 20-30 | 662 | 472 | 727 | 826 | 400 | 385 | 152 |
| 700 | 292 | 430 | 895 | 840 | 800 | 34 | 24-30 | 722 | 545 | 795 | 882 | 700 | 545 | 190 |
| 800 | 318 | 470 | 1015 | 950 | 905 | 36 | 24-33 | 775 | 595 | 727 | 826 | 700 | 385 | 152 |
| 900 | 330 | 510 | 1115 | 1050 | 1005 | 38 | 28-33 | 890 | 680 | 1060 | 1204 | 700 | 670 | 264 |
| 1000 | 410 | 550 | 1230 | 1160 | 1110 | 38 | 28-36 | 968 | 750 | 1130 | 1270 | 700 | 670 | 264 |
| 1200 | 470 | 630 | 1455 | 1380 | 1330 | 44 | 32-39 | 1080 | 862 | 1182 | 1356 | 750 | 660 | 230 |
| PN16 | | | | | | | | | | | | | | |
| 80 | 114 | 180 | 200 | 160 | 138 | 20 | 8-18 | 208 | 123 | 243 | 283 | 150 | 148 | 45 |
| 100 | 127 | 190 | 220 | 180 | 158 | 20 | 8-18 | 228 | 143 | 263 | 303 | 300 | 148 | 45 |
| 125 | 140 | 200 | 250 | 210 | 188 | 22 | 8-18 | 246 | 165 | 276 | 322 | 300 | 148 | 45 |
| 150 | 140 | 210 | 285 | 240 | 212 | 22 | 8-22 | 283 | 174 | 318 | 368 | 300 | 238 | 63 |
| 200 | 152 | 230 | 340 | 295 | 268 | 24 | 12-22 | 315 | 208 | 357 | 400 | 300 | 238 | 63 |
| 250 | 165 | 250 | 405 | 355 | 320 | 26 | 12-26 | 355 | 236 | 397 | 440 | 300 | 226 | 78 |
| 300 | 178 | 270 | 460 | 410 | 378 | 28 | 12-26 | 397 | 272 | 447 | 522 | 300 | 270 | 120 |
| 350 | 190 | 290 | 520 | 470 | 428 | 30 | 16-26 | 452 | 320 | 507 | 572 | 400 | 342 | 120 |
| 400 | 216 | 310 | 580 | 525 | 490 | 32 | 16-30 | 497 | 356 | 549 | 617 | 700 | 428 | 120 |
| 450 | 222 | 330 | 640 | 585 | 550 | 34 | 20-30 | 530 | 376 | 582 | 650 | 700 | 428 | 126 |
| 500 | 229 | 350 | 715 | 650 | 610 | 34 | 20-33 | 564 | 407 | 616 | 709 | 400 | 310 | 126 |
| 600 | 267 | 390 | 840 | 770 | 725 | 36 | 20-36 | 662 | 472 | 727 | 826 | 400 | 385 | 152 |
| 700 | 292 | 430 | 910 | 840 | 795 | 40 | 24-36 | 722 | 545 | 795 | 882 | 700 | 545 | 190 |
| 800 | 318 | 470 | 1025 | 950 | 900 | 42 | 24-39 | 775 | 595 | 727 | 826 | 700 | 385 | 152 |
| 900 | 330 | 510 | 1125 | 1050 | 1000 | 44 | 28-39 | 890 | 680 | 1060 | 1204 | 700 | 670 | 264 |
| 1000 | 410 | 550 | 1255 | 1170 | 1115 | 46 | 28-42 | 968 | 750 | 1130 | 1270 | 700 | 670 | 264 |
| 1200 | 470 | 630 | 1485 | 1390 | 1330 | 52 | 32-48 | 1080 | 862 | 1182 | 1356 | 750 | 660 | 230 |

The illustrations in this catalogue are subject to modifications without notice.





AGENT'S STAMP

Blank area for agent's stamp.



PREMIER VALVES (Pty) Ltd

A - P.O. Box 11735, Randhart, South Africa, 1457 W - www.premiervalves.co.za
T +2711-908-3760 F +2711-908-1268 E - sales@premiervalves.co.za

in association with

