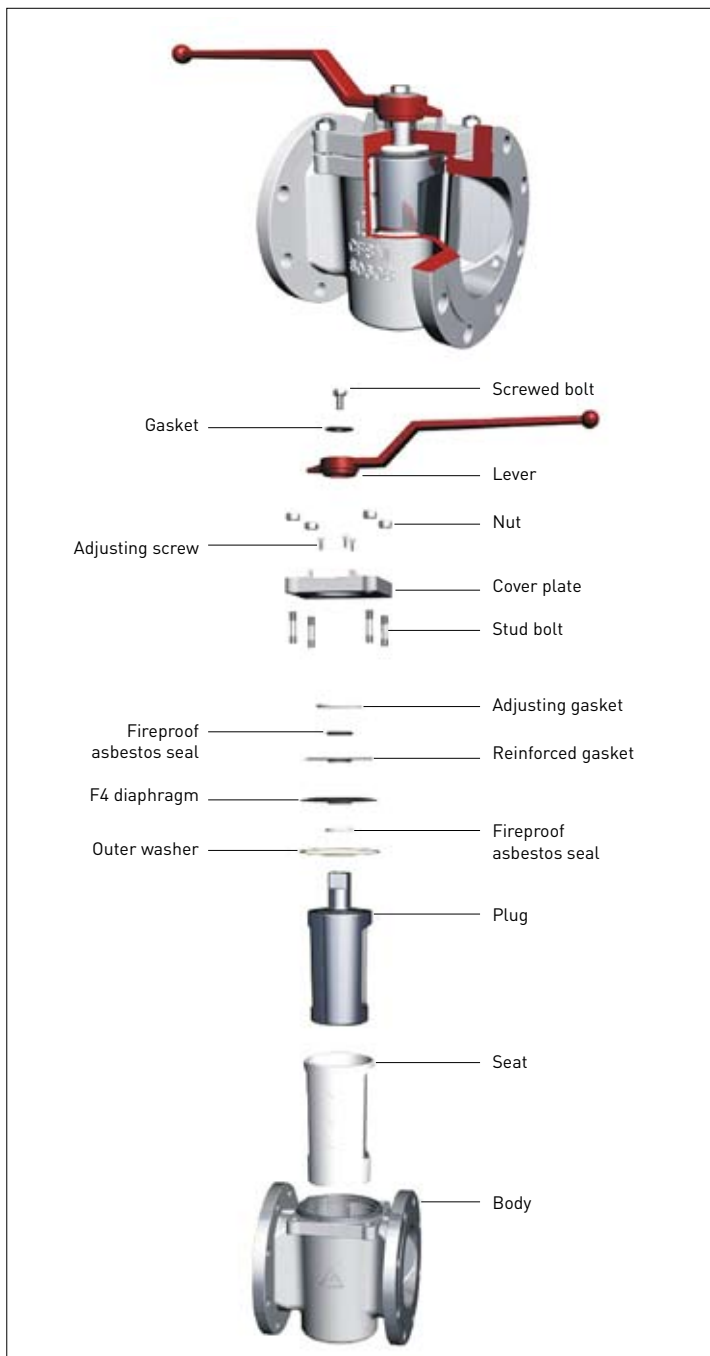


PREM CHEM PLUG VALVES





DESIGN STANDARDS:
GB12240, API1599, API6D

PLUG VALVES HAVE BEEN POPULAR FOR THE FOLLOWING REASONS:

- Large sealing area to ensure Zero leakage
- Large flow passage for low pressure drop
- Easy 90° operation.
- Taper design of plug ensures better sealing

With Teflon lined plug valves, there is no need for lubrication as the Teflon provides inherent low friction for easy operation.

THREE VERSIONS ARE AVAILABLE:

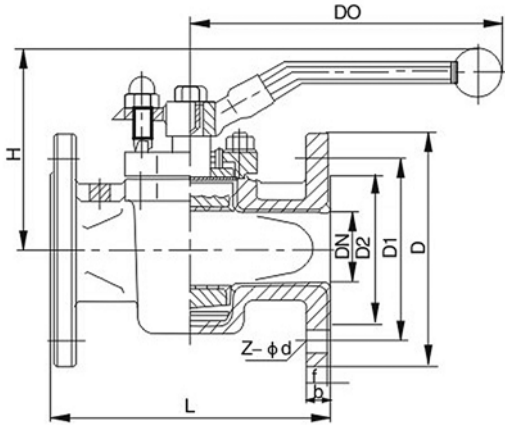
- Teflon Coated body with Stainless Steel Plug
- Teflon Lined body with Stainless Steel Plug
- Lubricated Plug valves with all Metal material and Hydrocarbon lubricant injected into the body to achieve zero leakage for temperatures up to 300° C.

CHARACTERISTICS:

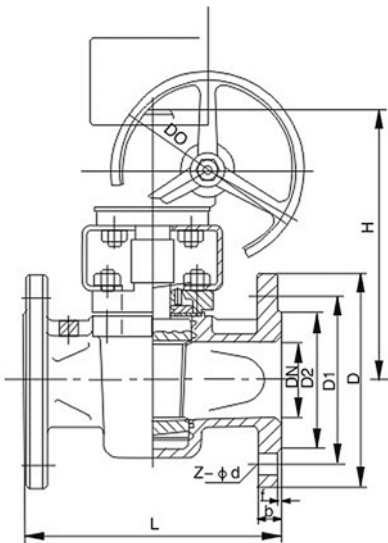
- The design is Bi-Directional and through the use of a sealing groove, zero leakage is achieved.
- The sealing groove fixes the liner inside the valve and also absorbs mini-deformation of the liner due to temperature changes. Simultaneously, the groove serves to clean and lubricate between the Liner and Plug, thereby improving the sealing and valve life.
- The design of the top bearing with PTFE gasket and O-ring with adjusting gasket, allows flexibility of the Plug position to ensure sealing of the plug liner and also the outside seals.
- The full sealing process is almost independent of line pressure.
- Different Teflon lining material is available to suit temperature and medium handled.

Available with Lever, gearbox, Pneumatic and Electric actuators. Standard with flange connection, but specials in socket weld end available. Pressure rating up to class 900 (15 Mpa).

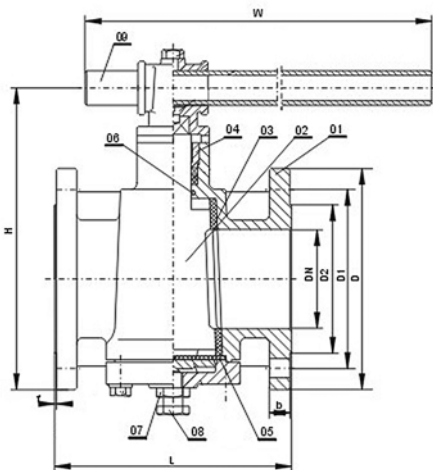




9. X43F₃, F₄₆
Flange type lever operated plug valve (Fully lined)



10. X343F
Flange type G.O. plug valve



11. X43F
Flange type inverted plug valve

Standard

Design	GB 12240
Face to Face	GB 12221
Flange dimension	JB78/JB79113.5 Or according to requirements
Test	GB/T 13927
Symbol	GB 12220
Supply	GB/T 12252

Flanged plug valve

- Pressure PN0.6~1.6 (MPa) (Fully lined)
- Size DN15~500 (mm)

Basic type

Pressure (pound) ANSI 150lb

Size (inch) NPS 2~48

Lever operated	X43F (Socket type)	Gear operated	643F (Socket type)
	X43F ₃ (Fully lined)		643F ₃ (Fully lined)
	X43F ₄₆ (Fully lined)		643F ₄₆ (Fully lined)
Pneumatic	X343F (Socket type)	Electric	943F (Socket type)
	X343F ₃ (Fully lined)		943F ₃ (Fully lined)
	X343F ₄₆ (Fully lined)		943F ₄₆ (Fully lined)



Main Parts Material Specifications								Table A5
No.	Name	Grey Cast Iron	Cast Steel	Stainless Steel		Low Carbon Stainless Steel		
		Z	C	P	R	P ₁	R ₁	
1	Body / Cover	HT250	WCB	CF8	CF8M	CF3	CF3M	
2	Lining/seat/Sleeved	PTFE(F ₁) PCTFE(F ₃) PVDF(F ₂) FEP(F ₄) PFA PPL						
3	Plug	WCB 35 MONEL CF8 CF8M CF3 CF3M						
4	Adjusting ring	1Cr13 1Cr18Ni19 1Cr18Ni10						
5	Adjusting gasket	RPTFE (F ₁) PFA						
6	O-ring	FPM(Viton) SiR(Silicon rubber)						
7	Bolt	35	35	1Cr17Ni2	1Cr17Ni2	1Cr18Ni9Ti	1Cr18Ni9Ti	
8	Nut	35	45	0Cr18Ni9	0Cr18Ni9	0Cr18Ni9	0Cr18Ni9	
9	Lever	35/EP.Cr						

Dimensions and weights												Table B11
Size		Standard							Reference			
Dn (mm)	NPS (inch)	L	D	D ₁	D ₂	f	b	Z-ød	Do	H	W(kg)	
		PN0.6 (MPa)										
15	½	130	80	55	40	2	12	4-ø12	120	80	1.6	
20	¾	130	90	65	50	2	14	4-ø12	120	90	2.4	
25	1	140	100	75	60	2	14	4-ø12	160	100	3.4	
32	1¼	165	120	90	70	2	16	4-ø14	160	110	4.8	
40	1½	165	130	100	80	3	16	4-ø14	200	120	6.0	
50	2	203	140	110	90	3	16	4-ø14	250	135	8.8	
65	2½	222	160	130	110	3	16	4-ø14	250	145	11.5	
80	3	241	185	150	125	3	18	4-ø18	300	180	15.2	
100	4	305	205	170	145	3	18	4-ø18	300	195	18.8	
125	5	356	235	200	175	3	20	8-ø18	350	210	22.5	
150	6	384	260	225	200	3	20	8-ø18	200*	450	48	
200	8	457	315	280	255	3	22	8-ø18	200*	490	65	
250	10	533	370	335	310	3	24	12-ø18	240*	550	88	
300	12	610	435	395	362	4	24	12-ø23	280*	600	125	
350	14	686	485	445	412	4	26	12-ø23	280*	675	185	
400	16	762	535	495	462	4	28	16-ø23	320*	780	255	
450	18	864	590	550	518	4	28	16-ø23	360*	820	320	
500	20	914	640	600	568	4	30	16-ø23	360*	910	405	

Dimensions and weights												Table B12
Size		Standard							Reference			
Dn (mm)	NPS (inch)	L	D	D ₁	D ₂	f	b	Z-ød	Do	H	W(kg)	
		PN1.0(MPa)										
15	½	130	95	65	45	2	14	4-ø14	120	80	1.6	
20	¾	130	105	75	75	2	16	4-ø14	120	90	2.4	
25	1	140	115	85	65	2	16	4-ø14	160	100	3.4	
32	1¼	165	135	100	78	2	18	4-ø18	160	110	4.8	
40	1½	165	145	110	85	3	18	4-ø18	200	120	6.0	
50	2	203	160	125	100	3	20	4-ø18	200	135	8.8	
65	2½	222	180	145	120	3	20	4-ø18	250	145	11.5	
80	3	241	195	160	135	3	22	4/8-ø18	250	180	15.2	
100	4	305	215	180	155	3	22	8-ø18	300	195	18.8	
125	5	356	245	210	185	3	24	8-ø18	350	210	22.5	
150	6	384	280	240	210	3	24	8-ø23	200*	450	48	
200	8	457	335	295	265	3	26	8-ø23	240*	490	65	
250	10	533	390	350	320	3	28	12-ø23	280*	550	88	
300	12	610	440	400	368	4	28	12-ø23	320*	600	125	
350	14	686	500	460	428	4	30	16-ø23	320*	675	185	
400	16	762	565	515	482	4	32	16-ø25	360*	780	255	

When flange to PN1.0MPa, DN80, JB78, screw hole Z=4, t other parameter z=8



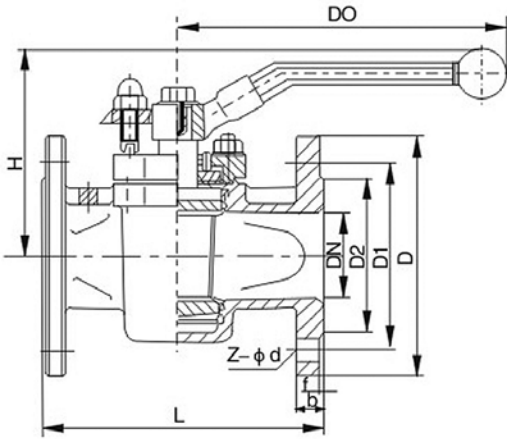
Dimensions and weights

Table B12

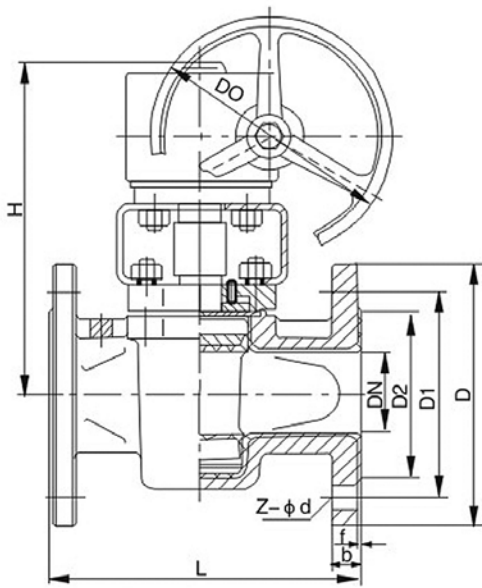
Size		Standard							Reference		
Dn (mm)	NPS (inch)	L	D	D ₁	D ₂	f	b	Z-ød	Do	H	W(kg)
PN1.6 (MPa)											
15	½	130	95	65	45	2	14	4-ø14	120	80	1.6
20	¾	130	105	75	55	2	16	4-ø14	120	90	2.4
25	1	140	115	85	65	2	16	4-ø14	160	100	3.4
32	1¼	165	135	100	78	2	18	4-ø18	160	110	4.8
40	1½	165	145	110	85	3	18	4-ø18	200	120	6.0
50	2	203	160	125	100	3	20	4-ø18	250	135	8.8
65	2½	222	180	145	120	3	20	4-ø18	250	145	11.5
80	3	241	195	160	135	3	22	8-ø18	300	180	15.2
100	4	305	215	180	155	3	24	8-ø18	300	195	18.8
125	5	356	245	210	185	3	26	8-ø18	350*	210	22.5
150	6	384	280	240	210	3	28	8-ø23	200*	450	48
200	8	457	335	295	265	3	30	12-ø23	200*	490	65
250	10	533	405	355	320	3	32	12-ø25	240*	550	88
300	12	610	460	410	375	4	34	12-ø25	280*	600	125
350	14	686	520	470	435	4	38	16-ø25	320*	675	185
400	16	762	580	525	485	4	40	16-ø30	360*	780	255
PN2.5(Mpa)											
15	½	130	95	65	45	2	16	4-ø14	120	85	2.0
20	¾	130	105	75	55	2	16	4-ø14	140	95	3.0
25	1	140	115	85	65	2	16	4-ø14	140	105	4.2
32	1¼	165	135	100	78	2	18	4-ø18	200	115	5.2
40	1½	165	145	110	85	3	18	4-ø18	250	125	7.2
50	2	203	160	125	100	3	20	4-ø18	250	140	10
65	2½	222	180	145	120	3	22	8-ø18	300	150	1.5
80	3	241	195	160	135	3	22	8-ø18	300	185	18.5
100	4	305	230	190	160	3	24	8-ø23	350	200	23
125	5	356	270	220	188	3	28	8-ø25	350	215	32
150	6	384	300	250	218	3	30	8-ø25	200*	455	52
200	8	457	360	310	278	3	34	12-ø25	240*	495	115
250	10	533	425	370	332	3	36	12-ø30	280*	555	195
300	12	610	485	430	390	4	40	16-ø30	320*	605	305
350	14	686	550	490	448	4	44	16-ø34	320*	680	325
PN4.0(Mpa)											
15	½	140	95	65	46	2	14	4-ø14	140	85	2.3
20	¾	152	105	75	56	2	16	4-ø14	140	95	3.2
25	1	165	115	85	65	3	16	4-ø14	200	105	4.8
32	1¼	178	140	100	76	3	18	4-ø18	250	115	5.8
40	1½	190	150	110	84	3	18	4-ø18	250	125	8.0
50	2	216	165	125	99	3	20	4-ø18	300	140	11
65	2½	241	185	145	118	3	22	8-ø18	300	150	13.5
80	3	283	200	160	132	3	24	8-ø18	350	185	22
100	4	305	235	190	156	3	24	8-ø22	350	200	26
125	5	381	270	220	184	3	26	8-ø26	400	215	37
150	6	403	300	250	211	3	28	8-ø26	200*	455	58
200	8	419	375	320	284	3	34	12-ø30	240*	495	125
250	10	457	450	385	345	6	38	12-ø33	280*	555	205
300	12	502	515	450	409	4	42	16-ø33	320*	605	320
350	14	762	580	510	465	4	46	16-ø36	360*	680	350

The flange size of PN4.0Mpa is according to GB9113.5

**PREMIER VALVES** (Pty) LtdA P.O. Box 11735, Randhart, South Africa, 1457 W www.premiervalves.co.za
T +2711-908-3760 F +2711-908-1268 E sales@premiervalves.co.za



12. X343F
Flange type lever operated plug valve (socket type)



13. X43F₃, F₄₆
Flange type G.O. plug valve (fully lined)

Standard

Design	API 599
Face to Face	API 599 (ANSI 150lb-300lb NPS½-12) ANSI B16.10 (ANSI 600lb NPS≥12)
Flange dimension	ANSI B 16.5
Test	API 598
Symbol	MSS SP-25
Supply	API 599

Flange type plug valve (fully lined, socket)

Design to API standard:
Pressure (pound) ANSI 150lb (Fully lined)
ANSI 150-600lb (Sleeved)
Size (inch) NPS ½-20

Basic type

Lever operated	X43F (Sieve type)	Gear operated	643F (Sieve type)
	X43F ₃ (Fully lined)		643F ₃ (Fully lined)
	X43F ₄₆ (Fully lined)		643F ₄₆ (Fully lined)
Pneumatic	X343F (Sieve type)	Electric	943F (Sieve type)
	X343F ₃ (Fully lined)		943F ₃ (Fully lined)
	X343F ₄₆ (Fully lined)		943F ₄₆ (Fully lined)

Main Parts Material Specifications

Table A6

No.	Name	Grey Cast Iron	Cast Steel	Stainless Steel		Low Carbon Stainless Steel		
		Z	C	P	R	P _L	R _L	
1	Body Cover	A126 Ci135A	A216 WCB	A351 CF8	A351 CF8M	A351 CF3	A351 CF3M	
2	Lining/seat/Sleeved	PTFE(F ₄) PCTFE(F ₃) PVDF(F ₂) FEP(F ₄₆) PFA PPL						
3	Plug	A216 WCB	A105	MONEL	A351 CF8	CF8M	CF3	CF3M
4	Adjusting ring	A182 F6	A182 F304	A182 F316	A182 F304L			A182 F316L
5	Adjusting gasket	RPTFE (F ₄)				PFA		
6	O-ring	PTFE (F ₄)		FPM (Silicon rubber)				
7	Bolt	A193 B7		A193 B8M				
8	Nut	A194 2H		A194 8				
9	Lever	A105/EP.Cr		A105/EP.Cr				



Dimensions and weights

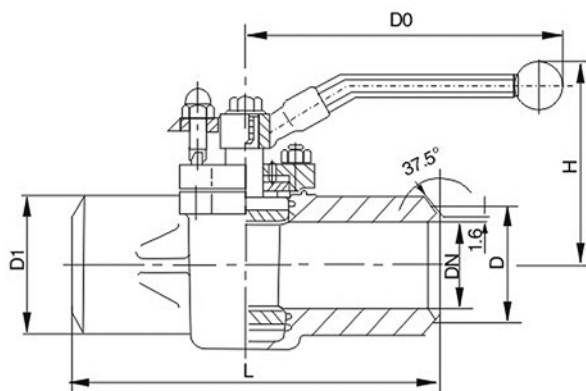
Table B14

Size		Standard							Reference		
Dn (mm)	NPS (inch)	L	D	D ₁	D ₂	f	b	Z-ød	Do	H	W(kg)
Class 150lb											
15	½	108	89	60.5	35	2	12	4-ø15	120	85	2
20	¾	117	98	70	43	2	12	4-ø15	140	95	3
25	1	127	108	79.5	51	2	12	4-ø15	140	105	4.5
32	1¼	140	117	89	64	2	13	4-ø15	200	115	5.2
40	1½	165	127	98.5	73	2	15	4-ø15	250	125	7.5
50	2	178	152	120.5	92	2	16	4-ø19	250	140	11
65	2½	190	178	139.5	105	2	18	4-ø19	300	150	12.5
80	3	203	190	152.5	127	2	19	4-ø19	300	185	18
100	4	229	229	190.5	157	2	24	8-ø19	350	200	23
125	5	254	254	216	186	2	24	8-ø22	350	215	32
150	6	267	279	241.5	216	2	26	8-ø22	200*	455	52
200	8	292	343	298.5	270	2	29	8-ø22	240*	495	115
250	10	330	406	362	324	2	31	12-ø25	280*	555	195
300	12	356	483	432	381	2	32	12-ø25	320*	605	305
350	14	686	533	476	413	2	35	12-ø29	320*	680	325
400	16	762	597	540	470	2	37	16-ø29	360*	715	340
450	18	864	635	578	533	2	40	16-ø32	360*	750	365
500	20	914	699	635	584	2	43	20-ø35	360*	810	395
Class 300lb											
15	½	140	95	66.5	35	2	15	4-ø15	160	85	2.5
20	¾	152	117	82.5	43	2	16	4-ø19	160	95	4
25	1	165	124	89	51	2	18	4-ø19	200	105	5
32	1¼	178	133	98.5	64	2	19	4-ø19	250	115	6
40	1½	190	156	114.5	73	2	21	4-ø22	250	125	8.5
50	2	216	165	127	92	2	23	8-ø19	300	140	13
65	2½	241	190	149	105	2	26	8-ø22	300	150	15
80	3	283	210	168.5	127	2	29	8-ø22	350	185	24
100	4	305	254	200	157	2	32	8-ø22	350	200	27
125	5	381	279	235	186	2	35	8-ø22	400	225	40
150	6	403	318	270	216	2	37	12-ø22	200*	460	65
200	8	419	381	330	270	2	42	12-ø25	240*	495	145
250	10	457	445	387.5	324	2	48	16-ø29	280*	560	255
300	12	502	521	451	381	2	51	16-ø32	320*	610	325
350	14	762	584	514.5	413	2	54	20-ø32	360*	685	355
400	16	838	648	571.5	470	2	58	20-ø35	360*	715	365
Class 600lb											
25	1	216	124	89	51	7	18	4-ø19	250	125	7
32	1¼	229	133	98.5	64	7	21	4-ø19	250	135	8.2
40	1½	241	156	114.5	73	7	23	4-ø22	300	140	10.8
50	2	292	165	127	92	7	26	8-ø19	350	150	12.5
65	2½	330	190	149	100	7	29	8-ø22	350	175	15.3
80	3	356	210	168	127	7	32	8-ø22	400	195	25
100	4	432	273	216	157	7	38	8-ø25	400	215	29.5
150	6	559	356	292	216	7	48	12-ø29	280*	500	70
200	8	660	419	349	270	7	56	12-ø32	280*	515	155
250	10	787	508	432	324	7	64	16-ø35	320*	575	260
300	12	838	559	489	381	7	67	20-ø35	320*	615	335

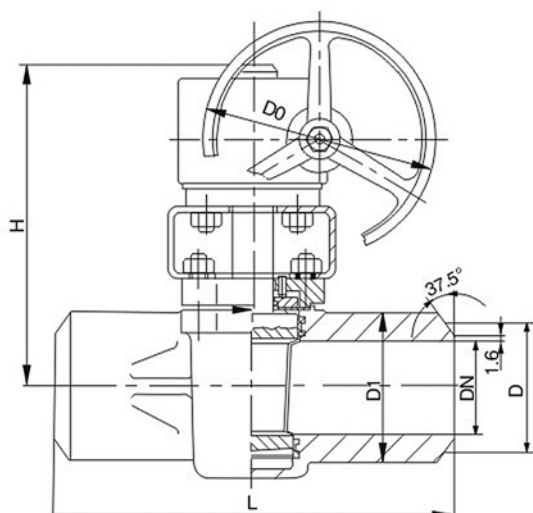


PREMIER VALVES (Pty) Ltd

A P.O. Box 11735, Randhart, South Africa, 1457 W www.premiervalves.co.za
T +2711-908-3760 F +2711-908-1268 E sales@premiervalves.co.za



14. X6₀3F
BW type plug valve (socket type)



15. X36₀3F
BW type plug valve (Socket type)

Standard

Design	API 599
Face to Face	ANSI B16.10 (NPS≥2) DIN 3202/S7 S12
B.W. dimension	ANSI B 16.25 (NPS≥2½) STD (NPS≤2)
Test	API 598
Symbol	MSS SP-25
Supply	API 599

BW end plug valves (Socket type)

- Design all to API standard:
- Pressure (pound) ANSI 150lb~900lb PN1.6~16.0(MPa)
NPS ½~20 DN15~500 (mm)
- Size (inch) NPS ½~20
Lever X6₀3F gear operated X36₀3F pneumatic X66₀3F
electric X96₀3F
- D means welding end
- ANSI: adding A before model, DIN: Adding D before model

Basic type

Lever operated	X6 ₀ 3F	Gear operated	X36 ₀ 3F
Pneumatic	X66 ₀ 3F	Electric	X96 ₀ 3F

Main Parts Material Specifications

Table A6

No.	Name	Grey Cast Iron	Cast Steel	Stainless Steel		Low Carbon Stainless Steel	
		Z	C	P	R	P _L	R _L
1	Body Cover	A126 Ci135A	A216 WCB	A351 CF8	A351 CF8M	A351 CF3	A351 CF3M
2	Socket	PTFE(F ₄)		RTFE	PPL		
3	Plug	A216 WCB	A105	MONEL	A351 CF8	CF8M	CF3
4	Adjusting ring	A182 F6	A182 F304	A182 F316	A182 F304L	A182 F316L	
5	Adjusting gasket	RPTFE (F ₄)		PFA			
6	O-ring	FPM (Viton)		FPM (Silicon rubber)			
7	Bolt	A193 B7		A193 B8M		A193 B8M	
8	Nut	A194 2H		A194 8		A194 8	
9	Lever	A105/EP.Cr		A105.Cr		A105/EP.Cr	



Dimensions and weights (ANSI B16.10)**Table B15**

Size		Standard			Reference		
Dn (mm)	NPS (inch)	L	D ₁	D	Do	H	W
Class 150lb							
15	½	165	28	25	160	85	3.4
20	¾	190	33	30	160	85	4.2
25	1	216	38	35	190	90	5.8
32	1¼	229	45	42	190	100	6.7
40	1½	241	56	50	240	110	8.4
50	2	267	70	62	305	120	9.1
65	2½	305	88	75	305	130	11.8
80	3	330	104	91	450	135	13.4
100	4	356	126	117	600	150	26.1
125	5	381	150	144	600	190	30.2
150	6	394	175	172	200*	455	48
200	8	457	226	223	240*	495	108
250	10	533	280	278	280*	555	180
300	12	610	332	329	320*	605	290
350	14	686	384	362	320*	680	311
400	16	762	435	413	360*	715	320
450	18	864	487	464	360*	735	355
500	20	914	540	516	360*	760	375

Size		Standard			Reference		
Dn (mm)	NPS (inch)	L	D ₁	D	Do	H	W
Class 300lb							
15	½	165	28	25	160	85	3.7
20	¾	190	33	30	190	90	4.6
25	1	216	38	35	190	100	6.2
32	1¼	229	45	42	240	110	7.2
40	1½	241	56	50	305	120	8.9
50	2	267	70	62	305	130	9.4
65	2½	305	88	75	450	135	12.3
80	3	330	104	91	500	150	14
100	4	356	126	117	600	160	27.2
125	5	381	150	144	600	210	33.5
150	6	457	185	172	200*	460	58
200	8	521	235	223	240*	500	130
250	10	559	290	278	280*	560	240
300	12	635	345	329	320*	610	315
350	14	762	395	362	320*	685	340
400	16	838	450	413	360*	720	350
450	18	914	502	464	360*	745	375
500	20	991	555	516	360*	770	388

Dimensions and weights (ANSI B16.10)**Table B16**

Size		Standard			Reference		
Dn (mm)	NPS (inch)	L	D ₁	D	Do	H	W
Class 600lb							
15	½	165	31	25	160	90	4.1
20	¾	190	36	30	190	100	4.9
25	1	216	41	35	220	110	6.6
32	1¼	229	49	42	240	120	7.7
40	1½	241	59	50	305	130	8.6
50	2	292	73	62	325	135	10.2
65	2½	330	89	75	450	150	13.1
80	3	356	105	91	550	160	15.5
100	4	432	132	117	650	180	28
125	5	508	163	144	650	220	38
150	6	559	190	172	280*	500	63
200	8	660	252	23	280*	520	140
250	10	787	310	278	320*	570	245
300	12	838	365	329	320*	620	320
350	14	889	420	362	360*	695	355
400	16	991	476	413	360*	730	364

Size		Standard			Reference		
Dn (mm)	NPS (inch)	L	D ₁	D	Do	H	W
Class 900lb							
15	½	165	41	25	190	95	4.7
20	¾	190	46	30	220	100	5.3
25	1	254	51	35	240	110	7.4
32	1¼	279	61	42	305	120	8.6
40	1½	305	70	50	325	130	9.6
50	2	368	88	62	450	135	11.3
65	2½	419	110	75	550	150	14.1
80	3	381	118	91	650	165	16.7
100	4	457	143	117	750	185	28.7
125	5	508	177	144	750	230	42
150	6	610	202	172	320*	550	68
200	8	737	265	223	320*	530	150
250	10	838	325	278	320*	580	225
300	12	965	385	329	360*	630	333
350	14	1029	442	362	360*	700	365
400	16	1130	505	413	360*	740	385

D is the outer diameter standard for 40# BS pipes, when DN≥50, Gear operated
 TL: to ANSI 600-900lb, when NPS<2, the size is from DIN3202/S12



PREMIER VALVES (Pty) Ltd

A P.O. Box 11735, Randhart, South Africa, 1457 W www.premiervalves.co.za
 T +2711-908-3760 F +2711-908-1268 E sales@premiervalves.co.za

Dimensions and weights (DIN3202/S7)

Table B17

Size		Standard			Reference		
Dn (mm)	NPS (inch)	L	D ₁	D	Do	H	W
		PN1.6~2.5(MPa)					
15	½	130	28	25	160	85	3.4
20	¾	150	33	30	160	85	4.2
25	1	160	38	35	190	90	5.8
32	1¼	180	45	42	190	100	6.7
40	1½	200	56	50	240	110	8.4
50	2	230	70	62	305	120	9.1
65	2½	290	88	75	305	130	11.8
80	3	310	104	91	450	135	13.4
100	4	350	126	117	600	150	26.1
125	5	400	150	144	600	190	30.2
150	6	480	175	172	200*	455	48
200	8	600	226	223	240*	495	108
250	10	730	280	278	280*	555	180
300	12	850	332	329	320*	605	290
350	14	980	384	362	320*	680	311
400	16	1100	435	413	360*	715	320
450	18	[1180]	487	464	360*	735	355
500	20	1250	540	516	360*	760	375

Size		Standard			Reference		
Dn (mm)	NPS (inch)	L	D ₁	D	Do	H	W
		PN4.0(MPa)					
15	½	130	28	25	160	85	3.7
20	¾	150	33	30	190	90	4.6
25	1	160	38	35	190	100	6.2
32	1¼	180	45	42	240	110	7.2
40	1½	200	56	50	305	120	8.9
50	2	230	70	62	305	130	9.4
65	2½	290	88	75	450	135	12.3
80	3	310	104	91	500	150	14
100	4	350	126	117	600	160	27.2
125	5	400	150	144	600	210	33.5
150	6	480	185	172	200*	460	58
200	8	600	235	223	240*	500	130
250	10	730	290	278	280*	560	240
300	12	850	345	329	320*	610	315
350	14	980	395	362	320*	685	340
400	16	1100	450	413	360*	720	350
450	18	[1180]	502	464	360*	745	375
500	20	1250	555	516	360*	770	388

Dimensions and weights (DIN3202/S12)

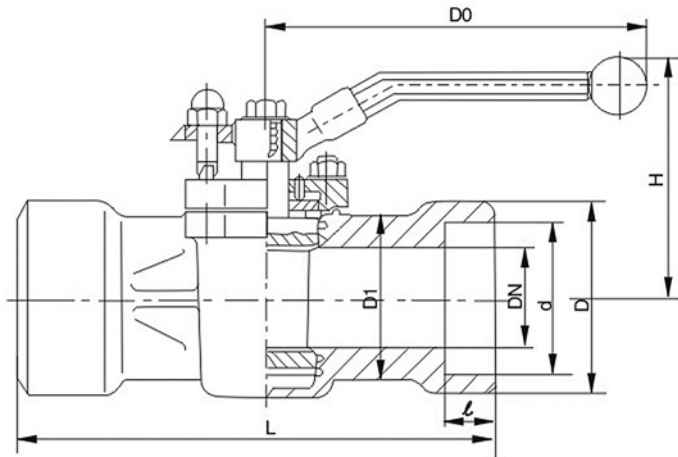
Table B18

Size		Standard			Reference		
Dn (mm)	NPS (inch)	L	D ₁	D	Do	H	W
		PN10.0(MPa)					
15	½	165	31	25	160	90	4.1
20	¾	190	36	30	190	100	4.9
25	1	216	41	35	220	110	6.6
32	1¼	229	49	42	240	120	7.7
40	1½	241	59	50	305	130	8.6
50	2	292	73	62	325	135	10.2
65	2½	330	89	75	450	150	13.1
80	3	356	105	91	550	160	15.5
100	4	432	132	117	650	180	28
125	5	508	163	144	650	220	38
150	6	559	190	172	280*	500	63
200	8	660	252	23	280*	520	140
250	10	787	310	278	320*	570	245
300	12	838	365	329	320*	620	320
350	14	889	420	362	360*	695	355
400	16	991	476	413	360*	730	364

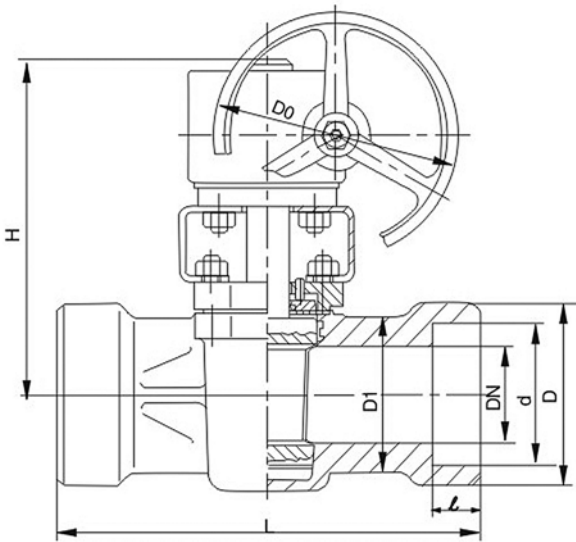
Size		Standard			Reference		
Dn (mm)	NPS (inch)	L	D ₁	D	Do	H	W
		PN16.0(MPa)					
15	½	165	41	25	190	95	4.7
20	¾	190	46	30	220	100	5.3
25	1	216	51	35	240	110	7.4
32	1¼	229	61	42	305	120	8.6
40	1½	241	70	50	325	130	9.6
50	2	292	88	62	450	135	11.3
65	2½	330	110	75	550	150	14.1
80	3	356	118	91	650	165	16.7
100	4	432	143	117	750	185	28.7
125	5	508	177	144	750	230	42
150	6	559	202	172	320*	550	68
200	8	660	265	223	320*	530	150
250	10	787	325	278	320*	580	225
300	12	838	385	329	360*	630	333
350	14	889	442	362	360*	700	365
400	16	991	505	413	360*	740	385

*D is the outer diameter standard for 40# BS pipes, when DN≥50, Gear operated.





16. X6_c3F
SW end plug valve (socket type)



17. X36_c3F
SW end plug valve (Socket type)

Standard

Design	API 599
Face to Face	ANSI B16.10 (NPS≥2) DIN 3202/S7 S12
Socket dimension	ANSI B 16.11 (NPS≤4) (NPS>4)
Test	API 598
Symbol	MSS SP-25
Supply	API 599

SW end plug valves (Socket type)

- Design to API and DIN standards
- Pressure (pound) ANSI 150lb~900lb PN1.6~16.0(MPa)
NPS ½~20 DN15~500 (mm)
- Size (inch) NPS ½~20
Lever X6_c3F gear operated X36_c3F pneumatic X66_c3F electric X96_c3F
- Angle "C" means welding end
- ANSI: adding A before model, DIN: Adding D before model

Basic type

Lever operated	X6 _c 3F	Gear operated	X36 _c 3F
Pneumatic	X66 _c 3F	Electric	X96 _c 3F

Main Parts Material Specifications

Table A6

No.	Name	Grey Cast Iron	Cast Steel	Stainless Steel		Low Carbon Stainless Steel	
		Z	C	P	R	P _L	R _L
1	Body Cover	A126 Ci135A	A216 WCB	A351 CF8	A351 CF8M	A351 CF3	A351 CF3M
2	Sleeve	PTFE(F ₄)		RTFE	PPL		
3	Plug	A216 WCB	A105	MONEL	A351 CF8	CF8M	CF3 CF3M
4	Adjusting ring	A182 F6	A182 F304	A182 F316	A182 F304L A182 F316L		
5	Adjusting gasket	RPTFE (F ₄)		PFA			
6	O-ring	FPM (Viton)		FPM (Silicon rubber)			
7	Bolt	A193 B7		A193 B8M			
8	Nut	A194 2H		A194 8			
9	Lever	A105/EP.Cr		A105/EP.Cr			



PREMIER VALVES (Pty) Ltd

A P.O. Box 11735, Randhart, South Africa, 1457 W www.premiervalves.co.za
T +2711-908-3760 F +2711-908-1268 E sales@premiervalves.co.za

Dimensions and weights (ANSI B16.10)

Table B19

Size		Standard					Reference		
Dn (mm)	NPS (inch)	L	/	d	D ₁	D	Do	H	W
ANSI 150lb									
15	½	165	10	21.95	28	32	160	85	3
20	¾	190	13	27.3	33	38	160	85	3.5
25	1	216	13	34.05	38	46	190	90	5.3
32	1¼	229	13	42.8	45	55	190	100	6.1
40	1½	241	13	48.9	56	63	240	110	7
50	2	267	16	61.35	70	76	305	120	7.3
65	2½	305	16	76.2	88	95	305	130	11
80	3	330	16	90.15	104	114	450	135	13
100	4	356	19	115.80	126	146	600	150	26.1
125	5	381	20	142	150	172	600	190	30.2
150	6	394	22	170	175	200	200*	455	48
200	8	457	26	221	226	251	240*	495	108
250	10	533	29	275	280	305	280*	555	180
300	12	610	29	326	332	360	320*	605	290
350	14	686	32	358	384	395	320*	680	311
400	16	762	35	408	435	450	360*	715	320
450	18	864	35	459	487	500	360*	735	355
500	20	914	40	510	540	560	360*	760	375

Size		Standard					Reference		
Dn (mm)	NPS (inch)	L	/	d	D ₁	D	Do	H	W
ANSI 300lb									
15	½	165	10	21.95	28	32	160	85	3.5
20	¾	190	13	27.3	33	38	190	90	4.1
25	1	216	13	34.05	38	46	190	100	5.8
32	1¼	229	13	42.8	45	55	240	110	6.4
40	1½	241	13	48.9	56	63	305	120	7.4
50	2	267	16	61.35	70	76	305	130	9
65	2½	305	16	76.2	88	95	450	135	12
80	3	330	16	90.15	104	114	500	150	14.3
100	4	356	19	115.80	126	146	600	160	27.2
125	5	381	20	142	150	172	600	210	33.5
150	6	457	22	170	185	200	200*	460	58
200	8	521	26	221	235	251	240*	500	130
250	10	559	29	275	290	305	280*	560	240
300	12	635	29	326	345	360	320*	610	315
350	14	762	32	358	395	395	320*	685	340
400	16	838	35	408	450	450	360*	720	350
450	18	914	35	459	502	502	360*	745	375
500	20	991	40	510	555	560	360*	770	388

Dimensions and weights (ANSI B16.10)

Table B20

Size		Standard					Reference		
Dn (mm)	NPS (inch)	L	/	d	D ₁	D	Do	H	W
ANSI 600lb									
15	½	165	10	21.95	31	32	160	90	3.7
20	¾	190	13	27.3	36	38	190	100	4.4
25	1	216	13	34.05	41	46	220	110	6.1
32	1¼	229	13	42.8	49	55	240	120	7.2
40	1½	241	13	48.9	59	63	305	130	8.1
50	2	292	16	61.35	73	76	325	135	9.8
65	2½	330	16	76.2	89	95	450	150	12.6
80	3	356	16	90.15	105	114	550	160	14.8
100	4	432	19	115.80	132	146	650	180	28
125	5	508	20	142	163	172	650	220	38
150	6	559	22	170	190	200	280*	500	63
200	8	660	26	221	252	252	280*	520	140
250	10	787	29	275	310	310	320*	570	245
300	12	838	29	326	365	365	320*	620	320
350	14	889	32	358	420	420	360*	695	355
400	16	991	35	408	476	480	360*	730	364

Size		Standard					Reference		
Dn (mm)	NPS (inch)	L	/	d	D ₁	D	Do	H	W
ANSI 900lb									
15	½	165	10	21.95	41	41	190	95	4.3
20	¾	190	13	27.3	46	46	220	100	4.9
25	1	254	13	34.05	51	51	240	110	7
32	1¼	279	13	42.8	61	61	305	120	8.1
40	1½	305	13	48.9	70	70	325	130	9
50	2	368	16	61.35	88	88	450	135	10.7
65	2½	419	16	76.2	110	110	500	150	13.4
80	3	381	16	90.15	118	118	650	165	16
100	4	457	19	115.80	143	143	750	185	28.7
125	5	508	20	142	177	177	750	230	42
150	6	610	22	170	202	202	320*	510	68
200	8	737	26	221	265	265	320*	530	150
250	10	838	29	275	325	325	320*	580	255
300	12	965	29	326	385	385	360*	630	333
350	14	1029	32	358	442	442	360*	700	365
400	16	1130	35	408	505	505	360*	740	385

*L: ANSI 150-300lb, NPS<2'S size from DIN3202/12, ANSI 600-900lb, NPS<1'S size from DIN3202/12



Dimensions and weights (DIN 3202/S7)

Table B21

Size		Standard					Reference		
Dn (mm)	NPS (inch)	L	/	d	D ₁	D	Do	H	W
		PN1.6~2.5(MPa)							
15	½	130	10	21.95	28	32	160	85	3.3
20	¾	150	13	27.3	33	38	160	85	4.2
25	1	160	13	34.05	38	46	190	90	5.8
32	1¼	180	13	42.8	45	55	190	100	6.8
40	1½	200	13	48.9	56	63	240	110	8
50	2	230	16	61.35	70	76	305	120	9.1
65	2½	290	16	76.2	88	95	305	130	11.8
80	3	310	16	90.15	104	114	450	135	13.8
100	4	350	19	115.80	126	146	600	150	26.1
125	5	400	20	142	150	172	600	190	3.2
150	6	480	22	170	175	200	200*	455	48
200	8	600	26	221	226	251	240*	495	108
250	10	730	29	275	280	305	280*	555	180
300	12	850	29	326	332	360	320*	605	290
350	14	980	32	358	384	395	320*	680	311
400	16	110	35	408	435	450	360*	715	320
450	18	1180	35	459	487	500	360*	735	355
500	20	1250	40	510	540	560	360*	760	375

Size		Standard					Reference		
Dn (mm)	NPS (inch)	L	/	d	D ₁	D	Do	H	W
		PN4.0(MPa)							
15	½	130	10	21.95	28	32	160	85	3.5
20	¾	150	13	27.3	33	38	190	90	4.1
25	1	160	13	34.05	38	46	190	100	5.8
32	1¼	180	13	42.8	45	55	240	110	6.4
40	1½	200	13	48.9	56	63	305	120	7.4
50	2	230	16	61.35	70	76	305	130	9
65	2½	290	16	76.2	88	95	450	135	12
80	3	310	16	90.15	104	114	500	150	14.3
100	4	350	19	115.80	126	146	600	160	27.2
125	5	400	20	142	150	172	600	210	33.5
150	6	480	22	170	185	200	200*	460	58
200	8	600	26	221	235	251	240*	500	130
250	10	730	29	275	290	305	280*	560	240
300	12	850	29	326	345	360	320*	610	315
350	14	980	32	358	395	395	320*	685	340
400	16	110	35	408	450	450	360*	720	350
450	18	1180	35	459	502	502	360*	745	375
500	20	1250	40	510	555	555	360*	770	388



PREMIER VALVES (Pty) Ltd

A P.O. Box 11735, Randhart, South Africa, 1457 W www.premiervalves.co.za
T +2711-908-3760 F +2711-908-1268 E sales@premiervalves.co.za

Dimensions and weights (DIN 3202/S12)

Table B22

Size		Standard					Reference		
Dn (mm)	NPS (inch)	L	/	d	D ₁	D	Do	H	W
		PN10.0(MPa)							
15	½	165	10	21.95	31	32	160	90	4.1
20	¾	190	13	27.3	36	38	190	100	4.9
25	1	216	13	34.05	41	46	220	110	6.6
32	1¼	229	13	42.8	49	55	240	120	7.7
40	1½	241	13	48.9	59	63	305	130	8.6
50	2	292	16	61.35	73	76	325	135	10.2
65	2½	330	16	76.2	89	95	450	150	13.1
80	3	356	16	90.15	105	114	550	160	15.5
100	4	432	19	115.80	132	146	650	180	28
125	5	508	20	142	163	172	650	220	38
150	6	559	22	170	190	200	280*	500	63
200	8	660	26	221	252	252	280*	520	140
250	10	787	29	275	310	310	320*	570	245
300	12	838	29	326	365	365	320*	620	320
350	14	889	32	358	420	420	360*	695	355
400	16	991	35	408	476	480	360*	730	364

Size		Standard					Reference		
Dn (mm)	NPS (inch)	L	/	d	D ₁	D	Do	H	W
		PN16.0(MPa)							
15	½	165	10	21.95	41	41	190	95	4.4
20	¾	190	13	27.3	46	46	220	100	5.3
25	1	216	13	34.05	51	51	240	110	7.0
32	1¼	229	13	42.8	61	61	305	120	8.1
40	1½	241	13	48.9	70	70	325	130	9.1
50	2	292	16	61.35	88	88	450	135	10.7
65	2½	330	16	76.2	110	110	500	150	13.7
80	3	356	16	90.15	118	118	650	165	16.2
100	4	432	19	115.80	143	143	750	185	28.7
125	5	508	20	142	177	177	750	230	42
150	6	559	22	170	202	202	320*	510	68
200	8	660	26	221	265	265	320*	530	150
250	10	787	29	275	325	325	320*	580	255
300	12	838	29	326	385	385	360*	630	333
350	14	889	32	358	442	442	360*	700	365
400	16	991	35	408	505	505	360*	740	385

