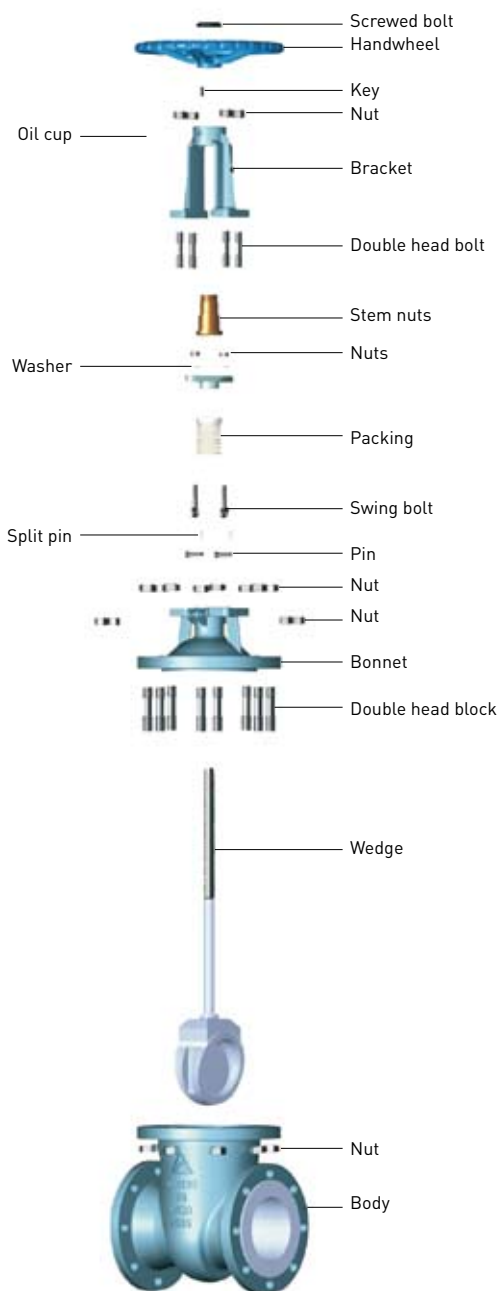


# PREM CHEM WEDGE GATE VALVES



**PREMIER VALVES** (Pty) Ltd

A P.O. Box 11735, Randhart, South Africa, 1457 [W www.premiervalves.co.za](http://www.premiervalves.co.za)  
T +2711-908-3760 F +2711-908-1268 E [sales@premiervalves.co.za](mailto:sales@premiervalves.co.za)

**DESIGN STANDARDS:**

GB12234, API1600

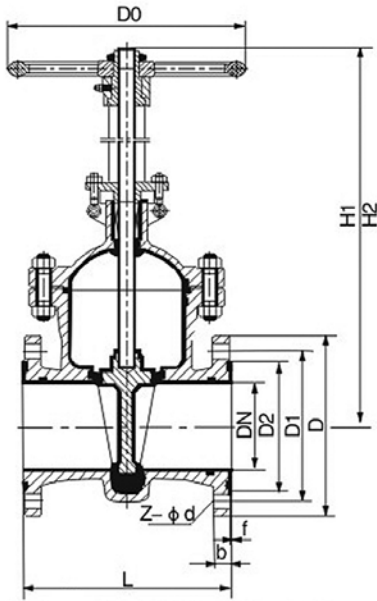
Gate valves are one of the most common and popular valves for isolating of pipelines due to their robust construction.

**CHARACTERISTICS OF PREMACHEM LINED GATE VALVES:**

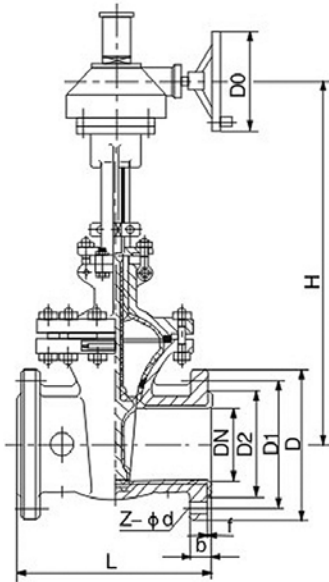
- All wetted parts are coated with Teflon
- Opening and closing torque is reduced from the standard gate valve due to the low friction coefficient of Teflon
- Gland sealing is with PTFE and is easy to replace.
- The valve is bi-directional

**AVAILABLE WITH:** Handwheel operator, Gearbox, Electric actuator, Pneumatic actuator





41. Z41F<sub>3</sub>, F<sub>46</sub>  
Flange type H.O. wedge valve



42. Z541F<sub>3</sub>, F<sub>46</sub>  
Flange type bevel G.O. wedge gate valve

**Standard**

|                  |                               |
|------------------|-------------------------------|
| Design           | GB 12234                      |
| Face to Face     | GB 12221                      |
| Flange dimension | JB78/JB79<br>GB9113.5 (PN4.0) |
| Test             | GB/T 13927                    |
| Symbol           | GB 12220                      |
| Supply           | GB/T 12252                    |

**Flange type wedge gate valve**

- Pressure: PN0.6~4.0 (MPa)
- Size: DN15~500 (mm)

**Basic type**

|                |   |               |   |
|----------------|---|---------------|---|
| Lever operated | Z41F <sub>3</sub> Z40F <sub>3</sub>     | Gear operated | Z441F <sub>3</sub> Z440F <sub>3</sub>                 |
|                | Z41F <sub>46</sub> Z40F <sub>46</sub>   |               | Z541F <sub>46</sub> Z540F <sub>46</sub>               |
| Pneumatic      | Z641F <sub>3</sub> Z640F <sub>3</sub>   | Electric      | Z941F <sub>3</sub> Z9 <sub>B</sub> 41F <sub>3</sub>   |
|                | Z641F <sub>46</sub> Z640F <sub>46</sub> |               | Z941F <sub>46</sub> Z9 <sub>B</sub> 41F <sub>46</sub> |

**Main Parts Material Specifications**

Table A17

| No. | Name               | Grey Cast Iron   | Cast Steel | Stainless Steel |                | Low Carbon Stainless Steel |                |
|-----|--------------------|--|------------|-----------------|----------------|----------------------------|----------------|
|     |                    | Z  | C          | P               | R              | P <sub>L</sub>             | R <sub>L</sub> |
| 1   | Body Bonnet Wedge  | HT250  | WCB        | CF8             | CF8M           | CF3                        | CF3M           |
| 2   | Lining/seat        | PCTFE(F <sub>3</sub> ) PVDF(F <sub>2</sub> ) FEP(F <sub>46</sub> ) |            | PFA             | PO             |                            |                |
| 3   | Stem               | 1Cr13  | 2Cr13      | 1Cr18Ni9        | 1Cr18Ni9Mo12Ti | 00Cr18Ni10                 | 00Cr17Ni14Mo2  |
| 4   | Packing Washer     | (Flexible graphite) PTFE (F <sub>4</sub> )                         |            |                 |                |                            |                |
| 5   | Middle flange bolt | 35   | 35         | 1Cr17Ni2        | 1Cr17Ni2       | 1Cr18Ni9                   | 1Cr18Ni9       |
| 6   | Middle flange nut  | 45   | 45         | 0Cr18Ni9        | 0Cr18Ni9       | 0Cr18Ni9                   | 0Cr18Ni9       |
| 7   | Bracket            | HT250 WCB CF8  |            |                 |                |                            |                |
| 8   | Stem nut           | ZCuAl10Fe3   |            |                 | A439 D2        |                            |                |
| 9   | Handwheel          | KY33-08  |            |                 | WCC            |                            |                |



## Dimensions and weights

Table B44

| Size       |               | Standard    |     |                |                |   |    |        | Reference |                |                |       |
|------------|---------------|-------------|-----|----------------|----------------|---|----|--------|-----------|----------------|----------------|-------|
| Dn<br>(mm) | NPS<br>(inch) | L           | D   | D <sub>1</sub> | D <sub>2</sub> | f | b  | Z-ød   | Do        | H <sub>1</sub> | H <sub>2</sub> | W(kg) |
|            |               | PN0.6 (MPa) |     |                |                |   |    |        |           |                |                |       |
| 15         | ½             | 140         | 80  | 55             | 40             | 2 | 12 | 4-ø12  | 100       | 100            | 120            | 5     |
| 20         | ¾             | 152         | 90  | 65             | 50             | 2 | 14 | 4-ø12  | 100       | 120            | 140            | 6     |
| 25         | 1             | 165         | 100 | 75             | 60             | 2 | 14 | 4-ø12  | 120       | 130            | 150            | 7     |
| 32         | 1¼            | 178         | 120 | 90             | 70             | 2 | 16 | 4-ø14  | 120       | 156            | 185            | 10    |
| 40         | 1½            | 240         | 130 | 100            | 80             | 3 | 16 | 4-ø14  | 160       | 165            | 205            | 18    |
| 50         | 2             | 250         | 140 | 110            | 90             | 3 | 16 | 4-ø14  | 160       | 350            | 400            | 25    |
| 65         | 2½            | 270         | 160 | 130            | 110            | 3 | 16 | 4-ø14  | 180       | 370            | 435            | 30    |
| 80         | 3             | 280         | 185 | 150            | 125            | 3 | 18 | 4-ø18  | 180       | 430            | 510            | 43    |
| 100        | 4             | 300         | 205 | 170            | 145            | 3 | 18 | 4-ø18  | 220       | 495            | 595            | 58    |
| 125        | 5             | 325         | 235 | 200            | 175            | 3 | 20 | 8-ø18  | 220       | 610            | 735            | 100   |
| 150        | 6             | 350         | 260 | 225            | 200            | 3 | 20 | 8-ø18  | 240       | 670            | 820            | 115   |
| 200        | 8             | 400         | 315 | 280            | 255            | 3 | 22 | 8-ø18  | 240       | 815            | 1015           | 145   |
| 250        | 10            | 450         | 370 | 335            | 310            | 3 | 24 | 12-ø18 | 240       | 965            | 1215           | 230   |
| 300        | 12            | 500         | 435 | 395            | 362            | 4 | 24 | 12-ø23 | 280       | 1140           | 1440           | 335   |
| 350        | 14            | 550         | 485 | 445            | 412            | 4 | 26 | 12-ø23 | 280       | 1275           | 1625           | 540   |
| 400        | 16            | 600         | 535 | 495            | 462            | 4 | 28 | 16-ø23 | 320       | 1445           | 1845           | 670   |
| 450        | 18            | 650         | 590 | 550            | 518            | 4 | 28 | 16-ø23 | 320       | 1530           | 1980           | 780   |
| 500        | 20            | 700         | 640 | 600            | 568            | 4 | 30 | 16-ø23 | 360       | 1725           | 2225           | 850   |

## Dimensions and weights

Table B45

| Size       |               | Standard    |     |                |                |   |    |         | Reference |                |                |       |
|------------|---------------|-------------|-----|----------------|----------------|---|----|---------|-----------|----------------|----------------|-------|
| Dn<br>(mm) | NPS<br>(inch) | L           | D   | D <sub>1</sub> | D <sub>2</sub> | f | b  | Z-ød    | Do        | H <sub>1</sub> | H <sub>2</sub> | W(kg) |
|            |               | PN0.6 (MPa) |     |                |                |   |    |         |           |                |                |       |
| 15         | ½             | 140         | 95  | 65             | 45             | 2 | 14 | 4-ø14   | 100       | 110            | 125            | 6     |
| 20         | ¾             | 152         | 105 | 75             | 55             | 2 | 16 | 4-ø14   | 100       | 120            | 140            | 7     |
| 25         | 1             | 165         | 115 | 85             | 65             | 2 | 16 | 4-ø14   | 120       | 132            | 155            | 8     |
| 32         | 1¼            | 178         | 135 | 100            | 78             | 2 | 18 | 4-ø18   | 120       | 156            | 185            | 11    |
| 40         | 1½            | 240         | 145 | 110            | 85             | 3 | 18 | 4-ø18   | 160       | 167            | 210            | 20    |
| 50         | 2             | 250         | 160 | 125            | 100            | 3 | 20 | 4-ø18   | 160       | 358            | 410            | 28    |
| 65         | 2½            | 270         | 180 | 145            | 120            | 3 | 20 | 4-ø18   | 180       | 375            | 440            | 32    |
| 80         | 3             | 280         | 195 | 160            | 135            | 3 | 22 | 4/8-ø18 | 180       | 435            | 515            | 45    |
| 100        | 4             | 300         | 215 | 180            | 155            | 3 | 22 | 8-ø18   | 220       | 500            | 600            | 60    |
| 125        | 5             | 325         | 245 | 210            | 185            | 3 | 24 | 8-ø18   | 220       | 615            | 740            | 110   |
| 150        | 6             | 350         | 280 | 240            | 210            | 3 | 24 | 8-ø23   | 240       | 675            | 825            | 120   |
| 200        | 8             | 400         | 335 | 295            | 265            | 3 | 26 | 8-ø23   | 280       | 820            | 1020           | 150   |
| 250        | 10            | 450         | 390 | 350            | 320            | 3 | 28 | 12-ø23  | 320       | 970            | 1220           | 240   |
| 300        | 12            | 500         | 440 | 400            | 368            | 4 | 28 | 12-ø23  | 320       | 1145           | 1445           | 340   |
| 350        | 14            | 550         | 500 | 460            | 428            | 4 | 30 | 16-ø23  | 360       | 1280           | 1630           | 550   |
| 400        | 16            | 600         | 565 | 515            | 482            | 4 | 32 | 16-ø25  | 400       | 1450           | 1850           | 680   |
| 450        | 18            | 650         | 615 | 565            | 532            | 4 | 32 | 20-ø25  | 500       | 1538           | 1988           | 795   |
| 500        | 20            | 700         | 670 | 620            | 585            | 4 | 34 | 20-ø25  | 500       | 1730           | 2230           | 880   |

When flange to PN1.0MPa, DN80, JB78, screw hole Z=4, t other parameter z=8.



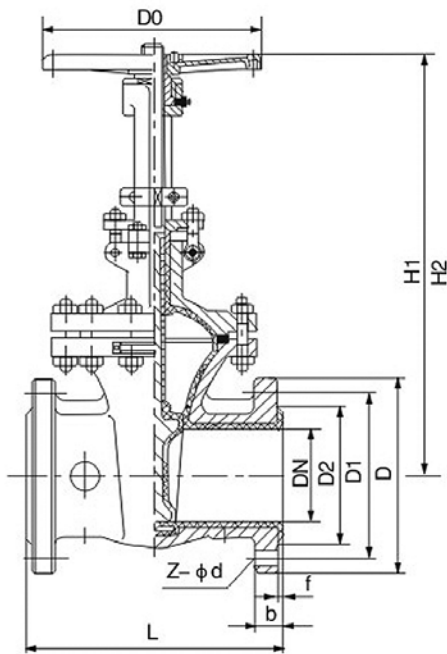
## Dimensions and weights

Table B46

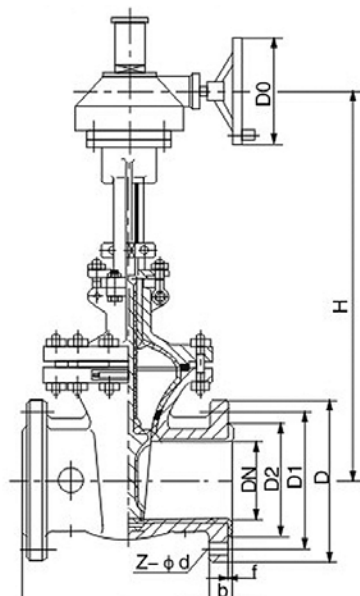
| Size               |            | Standard |     |                |                |   |    |        | Reference |                |                |       |
|--------------------|------------|----------|-----|----------------|----------------|---|----|--------|-----------|----------------|----------------|-------|
| Dn (mm)            | NPS (inch) | L        | D   | D <sub>1</sub> | D <sub>2</sub> | f | b  | Z-ød   | Do        | H <sub>1</sub> | H <sub>2</sub> | W(kg) |
| <b>PN1.6 (MPa)</b> |            |          |     |                |                |   |    |        |           |                |                |       |
| 15                 | ½          | 140      | 95  | 65             | 45             | 2 | 14 | 4-ø14  | 100       | 110            | 130            | 7     |
| 20                 | ¾          | 152      | 105 | 75             | 55             | 2 | 16 | 4-ø14  | 100       | 120            | 140            | 8     |
| 25                 | 1          | 165      | 115 | 85             | 65             | 2 | 16 | 4-ø14  | 120       | 135            | 160            | 9     |
| 32                 | 1¼         | 178      | 135 | 100            | 78             | 2 | 18 | 4-ø18  | 120       | 160            | 190            | 13    |
| 40                 | 1½         | 240      | 145 | 110            | 85             | 3 | 18 | 4-ø18  | 160       | 170            | 220            | 25    |
| 50                 | 2          | 250      | 160 | 125            | 100            | 3 | 20 | 4-ø18  | 160       | 360            | 410            | 32    |
| 65                 | 2½         | 270      | 180 | 145            | 120            | 3 | 20 | 4-ø18  | 180       | 380            | 440            | 38    |
| 80                 | 3          | 280      | 195 | 160            | 135            | 3 | 22 | 8-ø18  | 180       | 440            | 520            | 50    |
| 100                | 4          | 300      | 215 | 180            | 155            | 3 | 24 | 8-ø18  | 220       | 500            | 600            | 68    |
| 125                | 5          | 325      | 245 | 210            | 185            | 3 | 26 | 8-ø18  | 220       | 615            | 740            | 125   |
| 150                | 6          | 350      | 280 | 240            | 210            | 3 | 28 | 8-ø23  | 240       | 680            | 830            | 170   |
| 200                | 8          | 400      | 335 | 295            | 265            | 3 | 30 | 12-ø25 | 280       | 820            | 1020           | 210   |
| 250                | 10         | 450      | 405 | 355            | 320            | 3 | 32 | 12-ø25 | 320       | 980            | 1230           | 260   |
| 300                | 12         | 500      | 460 | 410            | 375            | 4 | 34 | 12-ø25 | 320       | 1150           | 1450           | 480   |
| 350                | 14         | 550      | 520 | 470            | 435            | 4 | 38 | 16-ø25 | 360       | 1285           | 1635           | 620   |
| 400                | 16         | 600      | 580 | 525            | 485            | 4 | 40 | 16-ø30 | 400       | 1455           | 1855           | 805   |
| 450                | 18         | 650      | 640 | 585            | 545            | 4 | 44 | 20-ø30 | 500       | 1545           | 1990           | 880   |
| 500                | 20         | 700      | 705 | 650            | 608            | 4 | 46 | 20-ø34 | 500       | 1735           | 2235           | 920   |
| <b>PN2.5 (MPa)</b> |            |          |     |                |                |   |    |        |           |                |                |       |
| 15                 | ½          | 140      | 95  | 65             | 45             | 2 | 16 | 4-ø14  | 120       | 110            | 130            | 8     |
| 20                 | ¾          | 152      | 105 | 75             | 55             | 2 | 16 | 4-ø14  | 120       | 120            | 140            | 9     |
| 25                 | 1          | 165      | 115 | 85             | 65             | 2 | 16 | 4-ø14  | 160       | 135            | 160            | 10    |
| 32                 | 1¼         | 178      | 135 | 100            | 78             | 2 | 18 | 4-ø18  | 160       | 160            | 190            | 14    |
| 40                 | 1½         | 240      | 145 | 110            | 85             | 3 | 18 | 4-ø18  | 180       | 170            | 220            | 28    |
| 50                 | 2          | 250      | 160 | 125            | 100            | 3 | 20 | 4-ø18  | 180       | 360            | 410            | 36    |
| 65                 | 2½         | 270      | 180 | 145            | 120            | 3 | 22 | 8-ø18  | 240       | 380            | 440            | 45    |
| 80                 | 3          | 280      | 195 | 160            | 135            | 3 | 22 | 8-ø18  | 240       | 440            | 520            | 58    |
| 100                | 4          | 300      | 230 | 190            | 160            | 3 | 24 | 8-ø23  | 280       | 500            | 600            | 76    |
| 125                | 5          | 325      | 270 | 220            | 188            | 3 | 28 | 8-ø25  | 280       | 615            | 740            | 143   |
| 150                | 6          | 350      | 300 | 250            | 218            | 3 | 30 | 8-ø25  | 320       | 680            | 830            | 178   |
| 200                | 8          | 400      | 360 | 310            | 278            | 3 | 34 | 12-ø25 | 320       | 820            | 1020           | 243   |
| 250                | 10         | 450      | 425 | 370            | 332            | 3 | 36 | 12-ø30 | 400       | 980            | 1230           | 275   |
| 300                | 12         | 500      | 485 | 430            | 390            | 4 | 40 | 16-ø30 | 400       | 1150           | 1450           | 520   |
| <b>PN4.0 (MPa)</b> |            |          |     |                |                |   |    |        |           |                |                |       |
| 15                 | ½          | 140      | 95  | 65             | 46             | 2 | 14 | 4-ø14  | 160       | 220            | 240            | 9     |
| 20                 | ¾          | 152      | 105 | 75             | 56             | 2 | 16 | 4-ø14  | 180       | 256            | 280            | 12    |
| 25                 | 1          | 165      | 115 | 85             | 65             | 3 | 16 | 4-ø14  | 180       | 275            | 305            | 14    |
| 32                 | 1¼         | 178      | 140 | 100            | 76             | 3 | 18 | 4-ø18  | 200       | 285            | 318            | 16    |
| 40                 | 1½         | 190      | 150 | 110            | 84             | 3 | 18 | 4-ø18  | 200       | 320            | 365            | 29    |
| 50                 | 2          | 216      | 165 | 125            | 99             | 3 | 20 | 4-ø18  | 280       | 371            | 425            | 33    |
| 65                 | 2½         | 241      | 185 | 145            | 118            | 3 | 22 | 8-ø18  | 280       | 393            | 463            | 46    |
| 80                 | 3          | 283      | 200 | 160            | 132            | 3 | 24 | 8-ø18  | 320       | 455            | 535            | 53    |
| 100                | 4          | 305      | 235 | 190            | 156            | 3 | 24 | 8-ø22  | 360       | 551            | 660            | 80    |
| 125                | 5          | 381      | 270 | 220            | 184            | 3 | 26 | 8-ø26  | 400       | 634            | 755            | 128   |
| 150                | 6          | 403      | 300 | 250            | 211            | 3 | 28 | 8-ø26  | 400       | 708            | 860            | 155   |
| 200                | 8          | 419      | 375 | 320            | 284            | 3 | 34 | 12-ø30 | 450       | 858            | 1050           | 265   |
| 250                | 10         | 457      | 450 | 385            | 345            | 3 | 38 | 12-ø33 | 560       | 1015           | 1270           | 370   |
| 300                | 12         | 502      | 502 | 450            | 409            | 4 | 42 | 16-ø33 | 640       | 1200           | 1580           | 550   |

Flange size of PN4.0 (MPa) as per GB9113.5

**PREMIER VALVES** (Pty) LtdA P.O. Box 11735, Randhart, South Africa, 1457 W www.premiervalves.co.za  
T +2711-908-3760 F +2711-908-1268 E sales@premiervalves.co.za



43. Z41F<sub>3</sub>, F<sub>46</sub>  
Flange type H.O. wedge valve



44. Z541F<sub>3</sub>, F<sub>46</sub>  
Flange type bevel G.O. wedge gate valve

**Standard**

|                  |             |
|------------------|-------------|
| Design           | API 600     |
| Face to Face     | ANSI B16.10 |
| Flange dimension | ANSI B16.5  |
| Test             | API 598     |
| Symbol           | API 600     |
| Supply           | API 600     |

**Flange type wedge gate valve**

- Design: to API standard
- Pressure: ANSI 150lb~300lb
- Size: NPS 1/2~24

**Basic type**

|                |   |               |   |
|----------------|---|---------------|---|
| Lever operated | Z41F <sub>3</sub> Z40F <sub>3</sub>     | Gear operated | Z441F <sub>3</sub> Z440F <sub>3</sub>                 |
|                | Z41F <sub>46</sub> Z40F <sub>46</sub>   |               | Z541F <sub>46</sub> Z540F <sub>46</sub>               |
| Pneumatic      | Z641F <sub>3</sub> Z640F <sub>3</sub>   | Electric      | Z941F <sub>3</sub> Z9 <sub>B</sub> 41F <sub>3</sub>   |
|                | Z641F <sub>46</sub> Z640F <sub>46</sub> |               | Z941F <sub>46</sub> Z9 <sub>B</sub> 41F <sub>46</sub> |

**Main Parts Material Specifications**

Table A18

| No. | Name               | Grey Cast Iron  | Cast Steel | Stainless Steel |              | Low Carbon Stainless Steel |                |
|-----|--------------------|---|------------|-----------------|--------------|----------------------------|----------------|
|     |                    | Z   | C          | P               | R            | P <sub>L</sub>             | R <sub>L</sub> |
| 1   | Body Bonnet Wedge  | A126 C.I135A  | A216 WCB   | A351 CF8        | A351 CF8M    | A351 CF3                   | A351 CF3M      |
| 2   | Lining/seat        | PCTFE(F <sub>3</sub> ) PVDF(F <sub>2</sub> ) FEP(F <sub>46</sub> ) PFA PO |            |                 |              |                            |                |
| 3   | Stem               | A182 F6   | A182 F6    | A182 F304       | A182 F316    | A182 F304L                 | A182 F316L     |
| 4   | Packing Washer     | (Flexible graphite) PTFE (F <sub>4</sub> )                                |            |                 |              |                            |                |
| 5   | Middle flange bolt | A193 B7   | A193 B7    | A193 B8M        | A193 B8M     | A193 B8M                   | A193 B8M       |
| 6   | Middle flange nut  | A194 2H   | A194 2H    | A194 8          | A194 8       | A194 8                     | A194 8         |
| 7   | Bracket            | A216 C.I35  |            | A216 WCB        | A351 CF8     |                            |                |
| 8   | Stem nut           | ZCuAl10Fe3  |            |                 | ASTM A439 D2 |                            |                |
| 9   | Handwheel          | KT330-08  |            |                 | A216 WCC     |                            |                |



Dimensions and weights

Table B47

| Size       |               | Standard |     |                |                |   |    |        | Reference |                |                |       |
|------------|---------------|----------|-----|----------------|----------------|---|----|--------|-----------|----------------|----------------|-------|
| Dn<br>(mm) | NPS<br>(inch) | L        | D   | D <sub>1</sub> | D <sub>2</sub> | f | b  | Z-ød   | Do        | H <sub>1</sub> | H <sub>2</sub> | W(kg) |
|            |               |          |     |                |                |   |    |        |           |                |                |       |
| 15         | ½             | 108      | 89  | 60.5           | 35             | 2 | 12 | 4-ø15  | 120       | 110            | 130            | 8     |
| 20         | ¾             | 117      | 98  | 70             | 43             | 2 | 12 | 4-ø15  | 120       | 120            | 140            | 9     |
| 25         | 1             | 127      | 108 | 79.5           | 51             | 2 | 12 | 4-ø15  | 160       | 135            | 160            | 10    |
| 32         | 1¼            | 140      | 117 | 89             | 64             | 2 | 13 | 4-ø15  | 160       | 160            | 190            | 13    |
| 40         | 1½            | 165      | 127 | 98.5           | 73             | 2 | 15 | 4-ø15  | 180       | 170            | 220            | 26    |
| 50         | 2             | 178      | 152 | 120.5          | 92             | 2 | 16 | 4-ø19  | 180       | 360            | 410            | 34    |
| 65         | 2½            | 190      | 178 | 139.5          | 105            | 2 | 18 | 4-ø19  | 240       | 380            | 440            | 42    |
| 80         | 3             | 203      | 190 | 152.5          | 127            | 2 | 19 | 4-ø19  | 240       | 440            | 520            | 54    |
| 100        | 4             | 229      | 229 | 190.5          | 157            | 2 | 24 | 8-ø19  | 280       | 500            | 600            | 72    |
| 125        | 5             | 254      | 254 | 216            | 186            | 2 | 24 | 8-ø22  | 280       | 615            | 740            | 132   |
| 150        | 6             | 267      | 279 | 241.5          | 216            | 2 | 26 | 8-ø22  | 320       | 680            | 830            | 175   |
| 200        | 8             | 292      | 343 | 298.5          | 270            | 2 | 29 | 8-ø22  | 320       | 820            | 1020           | 220   |
| 250        | 10            | 330      | 406 | 362            | 324            | 2 | 31 | 12-ø25 | 400       | 980            | 1230           | 265   |
| 300        | 12            | 356      | 483 | 432            | 381            | 2 | 32 | 12-ø25 | 400       | 1150           | 1450           | 490   |
| 350        | 14            | 381      | 533 | 476            | 413            | 2 | 35 | 12-ø29 | 450       | 1285           | 1635           | 620   |
| 400        | 16            | 406      | 597 | 540            | 470            | 2 | 37 | 16-ø29 | 450       | 1455           | 1855           | 810   |
| 450        | 18            | 432      | 635 | 578            | 533            | 2 | 40 | 16-ø32 | 500       | 1545           | 1990           | 890   |
| 500        | 20            | 457      | 699 | 635            | 584            | 2 | 43 | 20-ø32 | 500       | 1735           | 2235           | 940   |
| 600        | 24            | 508      | 813 | 749.5          | 692            | 2 | 48 | 20-ø35 | 500       | 1850           | 2450           | 980   |

Dimensions and weights

Table B48

| Size       |               | Standard |     |                |                |   |    |        | Reference |                |                |       |
|------------|---------------|----------|-----|----------------|----------------|---|----|--------|-----------|----------------|----------------|-------|
| Dn<br>(mm) | NPS<br>(inch) | L        | D   | D <sub>1</sub> | D <sub>2</sub> | f | b  | Z-ød   | Do        | H <sub>1</sub> | H <sub>2</sub> | W(kg) |
|            |               |          |     |                |                |   |    |        |           |                |                |       |
| 15         | ½             | 140      | 95  | 66.5           | 35             | 2 | 15 | 4-ø15  | 160       | 220            | 240            | 9     |
| 20         | ¾             | 152      | 117 | 82.5           | 43             | 2 | 16 | 4-ø19  | 160       | 256            | 280            | 16    |
| 25         | 1             | 165      | 124 | 89             | 51             | 2 | 18 | 4-ø19  | 180       | 275            | 305            | 18    |
| 32         | 1¼            | 178      | 133 | 98.5           | 64             | 2 | 19 | 4-ø19  | 180       | 285            | 318            | 20    |
| 40         | 1½            | 190      | 156 | 114.5          | 73             | 2 | 21 | 4-ø22  | 200       | 320            | 365            | 28    |
| 50         | 2             | 216      | 165 | 127            | 92             | 2 | 23 | 8-ø19  | 200       | 371            | 425            | 38    |
| 65         | 2½            | 241      | 190 | 149            | 105            | 2 | 26 | 8-ø22  | 280       | 393            | 463            | 50    |
| 80         | 3             | 283      | 210 | 168.5          | 127            | 2 | 29 | 8-ø22  | 280       | 455            | 535            | 60    |
| 100        | 4             | 305      | 254 | 200            | 157            | 2 | 32 | 8-ø22  | 320       | 551            | 660            | 75    |
| 125        | 5             | 381      | 279 | 235            | 186            | 2 | 35 | 8-ø22  | 320       | 634            | 755            | 135   |
| 150        | 6             | 403      | 318 | 270            | 216            | 2 | 37 | 12-ø22 | 360       | 708            | 860            | 180   |
| 200        | 8             | 419      | 381 | 330            | 270            | 2 | 42 | 12-ø25 | 360       | 858            | 1060           | 280   |
| 250        | 10            | 457      | 445 | 387.5          | 324            | 2 | 48 | 16-ø29 | 400       | 1015           | 1270           | 370   |
| 300        | 12            | 502      | 521 | 451            | 381            | 2 | 51 | 16-ø32 | 460       | 1209           | 1580           | 560   |
| 350        | 14            | 762      | 584 | 514.5          | 413            | 2 | 54 | 20-ø32 | 500       | 1300           | 1650           | 640   |
| 400        | 16            | 838      | 648 | 571.5          | 470            | 2 | 58 | 20-ø35 | 560       | 1500           | 1900           | 880   |
| 450        | 18            | 914      | 711 | 628.5          | 533            | 2 | 61 | 24-ø35 | 560       | 1600           | 2050           | 970   |
| 500        | 20            | 991      | 775 | 686            | 584            | 2 | 64 | 24-ø35 | 640       | 1785           | 2285           | 990   |
| 600        | 24            | 1143     | 914 | 813            | 692            | 2 | 70 | 24-ø41 | 640       | 2410           | 2410           | 1005  |



**PREMIER VALVES** (Pty) Ltd

A P.O. Box 11735, Randhart, South Africa, 1457 W [www.premiervalves.co.za](http://www.premiervalves.co.za)  
T +2711-908-3760 F +2711-908-1268 E [sales@premiervalves.co.za](mailto:sales@premiervalves.co.za)