

RESILIENT-SEATED ECCENTRIC PLUG VALVES

• PN20

Features

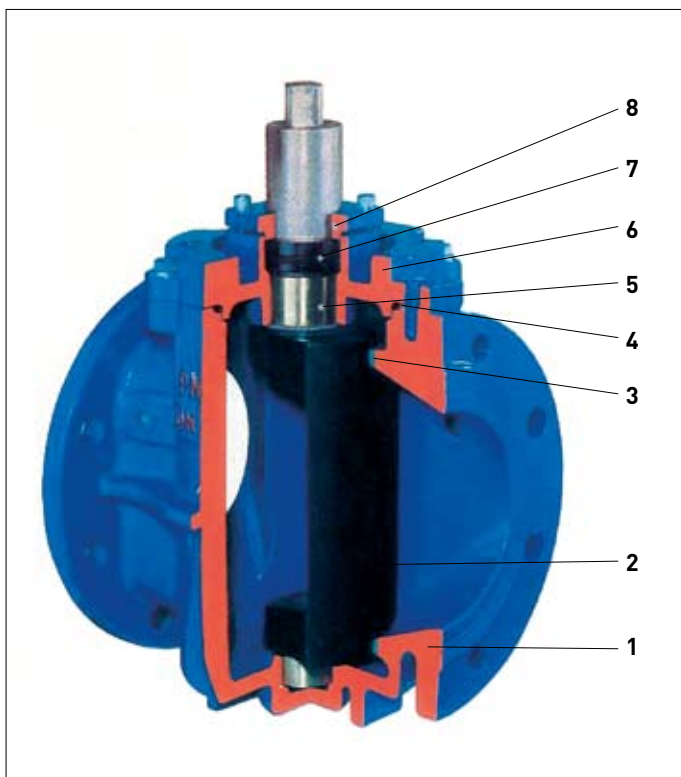
- Ideal for water, sewage, slurries, pulp and paper.
- Eccentric design. Reduces friction between plug and seat, thereby reducing operating torque. Degree of closing tightness (and torque) can be adjusted to suit the media pressure.
- Rectangular Plug area provides excellent throttling performance. Particles are easily passed through the valve without leaving deposits, especially when the shaft is installed in the horizontal position.
- Welded in Stainless Steel seat provides long life.
- Different Rubber coatings for the plug are available ie EPDM, NBR or Neoprene.
- FBE Coating is to 300 micron and toxic free for potable water applications.



PREMIER VALVES (Pty) Ltd

A - P.O. Box 11735, Randhart, South Africa, 1457 W - www.premiervalves.co.za
T +2711-908-3760 F +2711-908-1268 E - sales@premiervalves.co.za

RESILIENT-SEATED ECCENTRIC PLUG VALVES



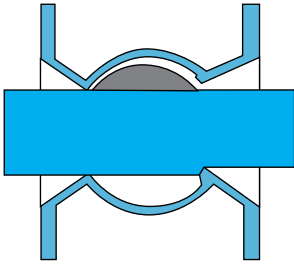
Materials of construction				
no.	Parts	BC	ASTM	DIN
1	Body	2789 Gr450	A536 65-45-12	GGG45
2	Plug	2789 Gr450	A536 65-45-12	GGG45
		EPDM, NBR		
3	Seat	1504 304S40	A182 Grade F304	X5CrNi189
4	O-ring	EPDM, NBR		
5	Bearing	1400 LG2	B505-93 C836	G-CuSn5ZnPb
6	Cover	2789 Gr450	A536 65-45-12	GGG45
7	V-sealing	EPDM, NBR		
8	Bonnet	2789 Gr450	A536 65-45-12	GGG45

Description:

The Eccentric Plug valve has a straight – through flow pattern resulting in low headloss. The design ensures that solid particles are easily passed through the valve without clogging. The Eccentric Plug design ensures that Closing and Opening Torque is relatively low as the plug easily lifts off the seat. The welded in Stainless Steel seat and fully encapsulated Plug provides excellent corrosion and erosion protection. Because of its Linear Flow characteristics this valve is often used for throttling purposes, even on abrasive slurries.

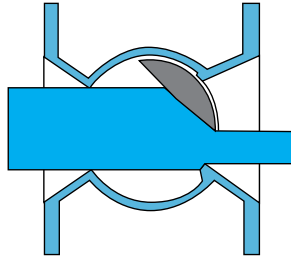
The illustrations in this catalogue are subject to modifications without notice.

RESILIENT-SEATED ECCENTRIC PLUG VALVES



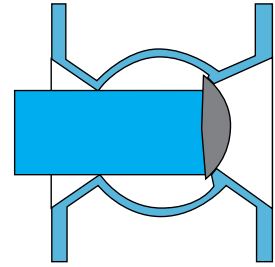
Full Open position

When the Valve is in fully open position, the plug is out of flow path. The flow is straight through. This ensures get high flow capacity with lower pressure drop.



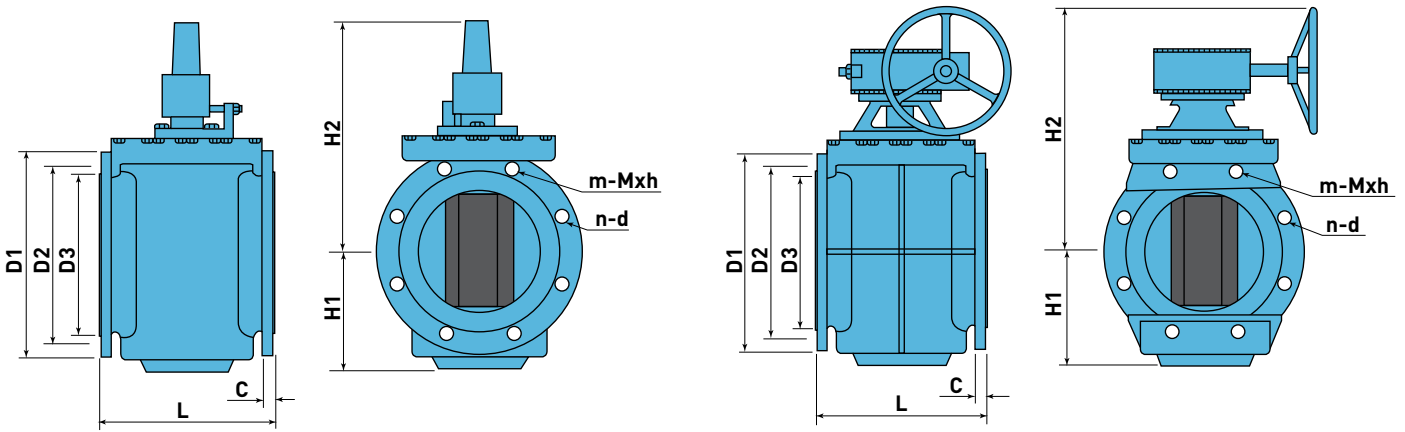
Throttle position

When the plug is in closing position, the flow is still straight through. Modified linear characteristic of this valve provides ideal throttling characteristics.



Closed position

When the Valve is in closed position, the resilient plug is pressed firmly into the seat for tight shut-off.



Dimensions (mm)

DN	D1	D2	D3	C	n-d	m-Mxh	L	H1	C				
									Hand Wheel	Cap Top	Gearbox	Electric Actuator	Pneumatic Actuator
50	165	125	99	19	4-ø19	-	178	84	143	225	265	315	265
65	185	145	118	19	4-ø19	-	190	93	143	225	265	315	265
80	200	160	132	19	4-ø19	4-M16	203	109	174	255	312	373	340
125	250	210	184	19	8-ø19	-	229	128	174	255	312	373	340
150	285	240	211	21	4-ø23	4-M20	267	165	-	-	444	481	488
200	340	295	266	21	4-ø23	4-M20	292	198	-	-	464	508	558
250	395	350	319	24	8-ø23	4-M20x30	330	249	-	-	527	630	729
300	445	400	370	25	8-ø23	4-M20x30	356	290	-	-	710	666	798
350	505	460	429	26	8-ø23	8-M20x30	432	330	-	-	723	767	-
400	565	515	480	28	8-ø23	8-M24x36	450	355	-	-	749	881	-
450	615	565	530	28	12-ø28	8-M24x36	450	355	-	-	749	881	-
500	670	620	582	29	12-ø28	8-M24x36	660	427	-	-	903	1015	-
600	780	725	682	30	12-ø31	8-M27x40	762	567	-	-	1015	1202	-
700	895	840	794	33	16-ø31	8-M27x40	865	633	-	-	1393	1351	-
800	1015	950	901	35	16-ø34	8-M30x45	965	633	-	-	1393	1351	-

The illustrations in this catalogue are subject to modifications without notice.

PREMIER



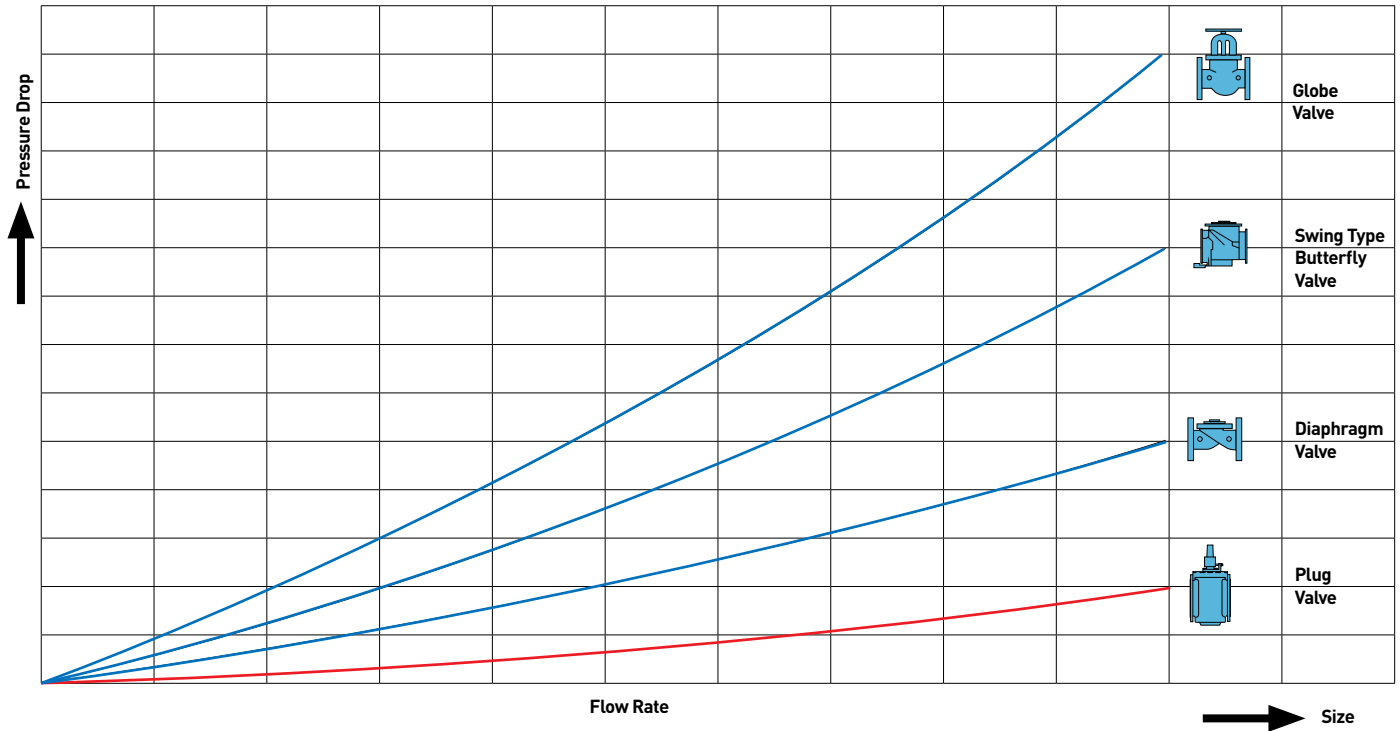
VALVES (Pty) Ltd

P.O. Box 11735, Randhart, South Africa, 1457
sales@premiervalves.co.za

T +2711-908-3760 F +2711-908-1268
www.premiervalves.co.za

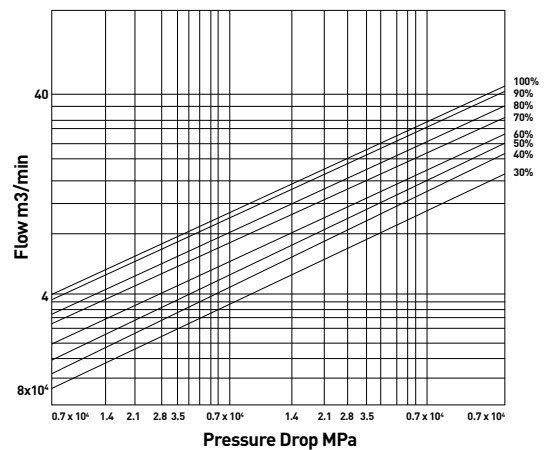
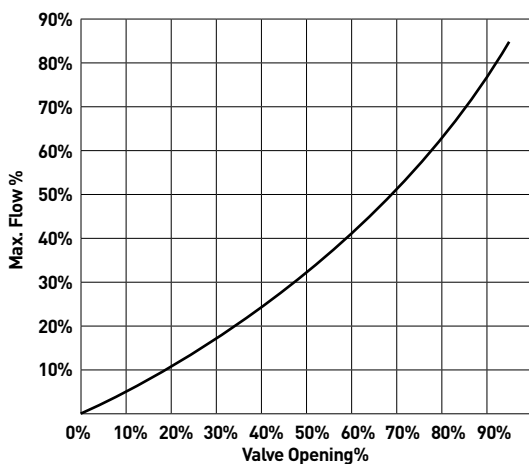
RESILIENT-SEATED ECCENTRIC PLUG VALVES

Comparative Flow Coefficients Of Different Valves



For the same flow rate, plug valves have the least pressure-loss
The bigger the valve is, the better the performance will be.

Inherent flow characteristic



The illustrations in this catalogue are subject to modifications without notice.

PREMIER



VALVES (Pty) Ltd

P.O. Box 11735, Randhart, South Africa, 1457
sales@premiervalves.co.za

T +2711-908-3760 F +2711-908-1268
www.premiervalves.co.za